

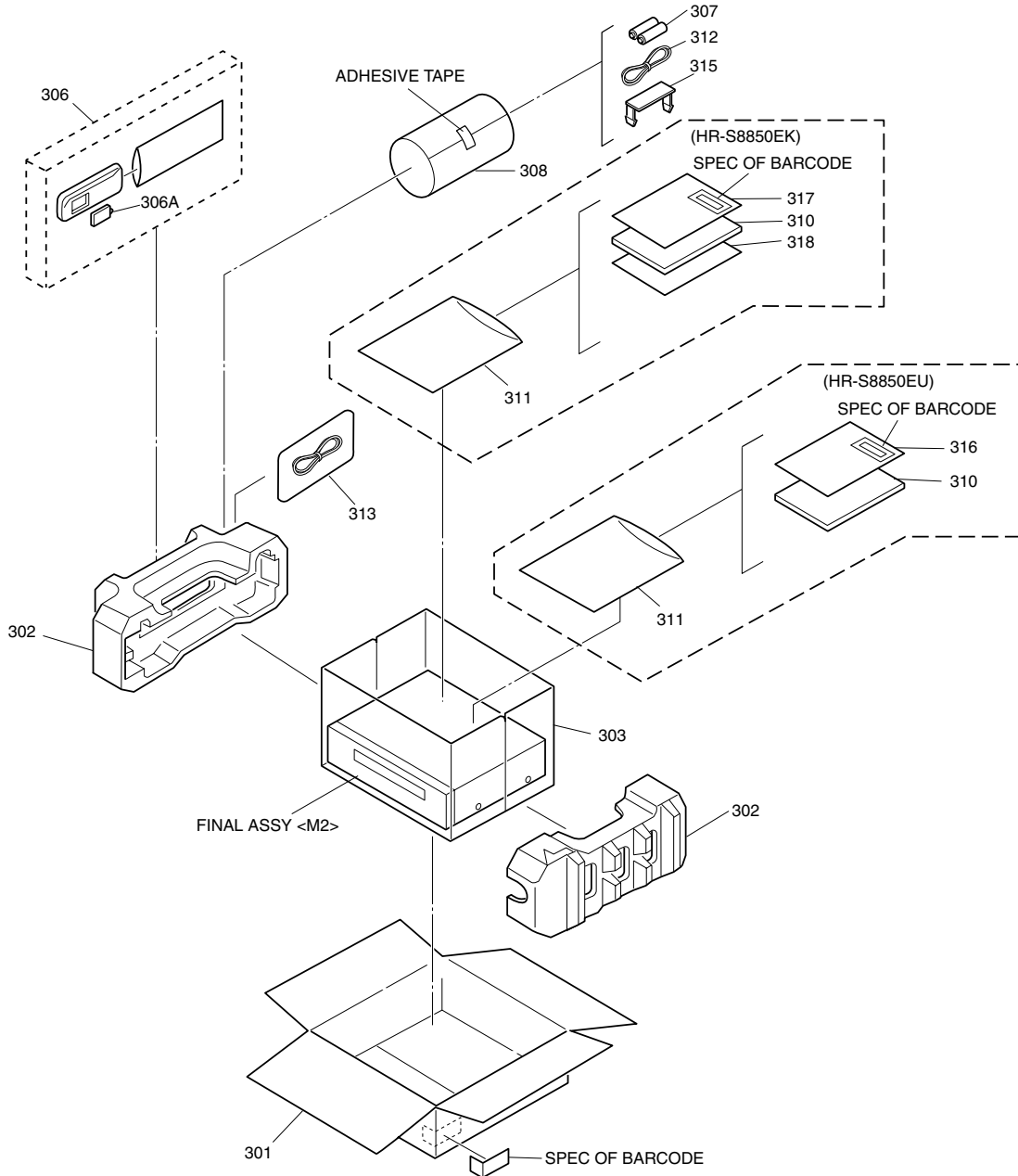
SECTION 5 PARTS LIST

SAFETY PRECAUTION

Parts identified by the \triangle symbol are critical for safety. Replace only with specified part numbers.

5.1 PACKING AND ACCESSORY ASSEMBLY <M1>

The instruction manual to be provided with this product will differ according to the destination.



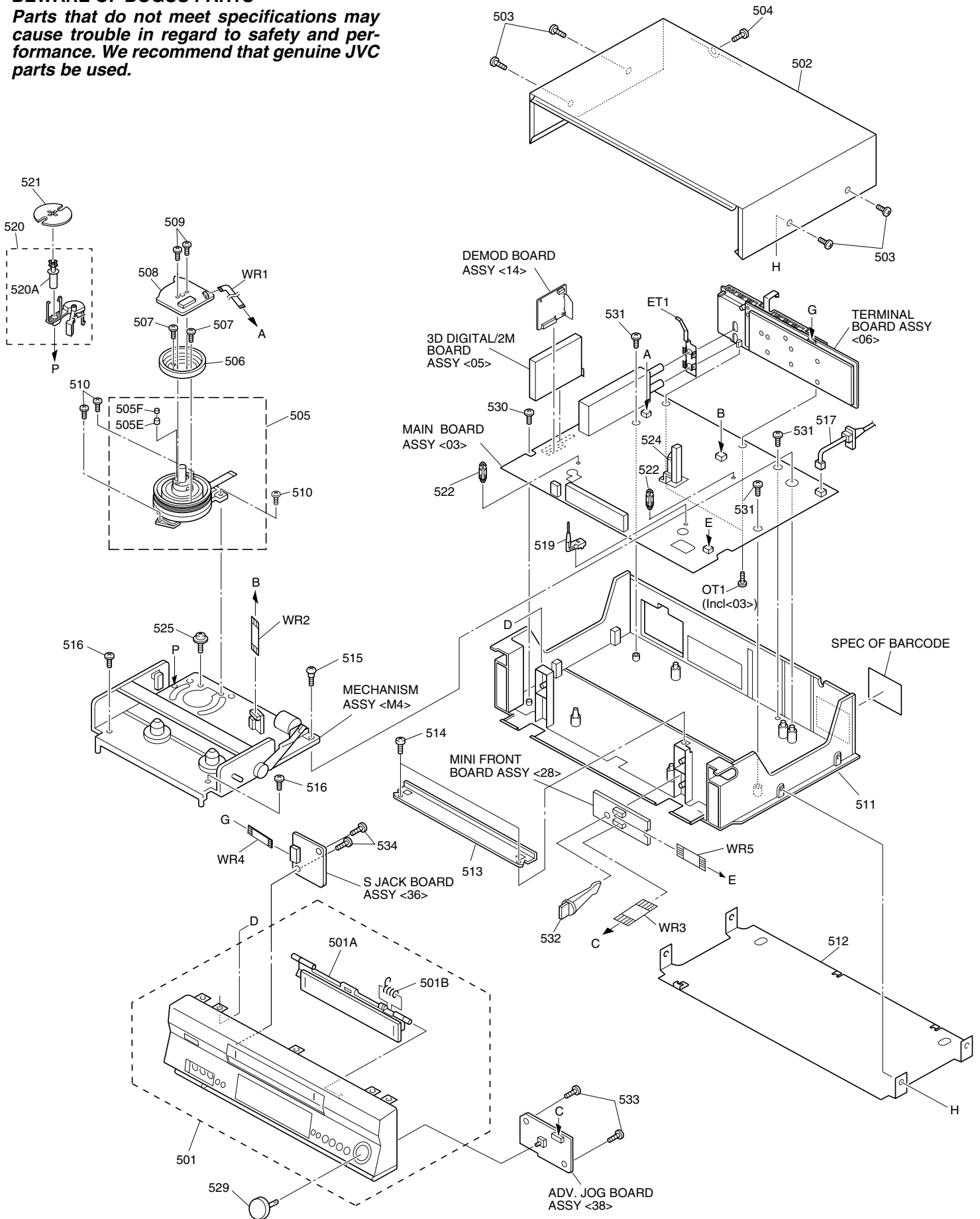
# \triangle REF No.	PART No.	PART NAME, DESCRIPTION	# \triangle REF No.	PART No.	PART NAME, DESCRIPTION

PACKING AND ACCESSORY ASSEMBLY <M1>					
301	LP30855-002B	PACKING CASE	\triangle 310	LPT0479-001A	INST.BOOK(EN),S8850EK
302	LP30909-001C	CUSHION ASSY	\triangle	LPT0487-001A	INST.BOOK(EN),S8850EU
303	PQM30021-93	POLY BAG	\triangle	LPT0487-002A	INST.BOOK(GE),S8850EU
306	LP20873-007A	REMOTE CONTROLLER	311	QPC02503530P	POLY BAG
306A	LP40254-006A	COVER(BATTERY)	312	PEAC0300-02	RF CABLE
307	-	BATTERY,X2("R6"TYPE)	313	QAL0095-005	LED CABLE ASSY(Satellite Controller)
308	QPC02202230P	POLY BAG	315	LP30809-001B	CAP(JACK)
			316	BT-54013-2	WARRANTY CARD,S8850EU
			317	BT-54008-2	GUARANTY CARD,S8850EK
			318	LYT0194-001B	Q.CARD(JUK),S8850EK

5.2 FINAL ASSEMBLY <M2>

BEWARE OF BOGUS PARTS

Parts that do not meet specifications may cause trouble in regard to safety and performance. We recommend that genuine JVC parts be used.

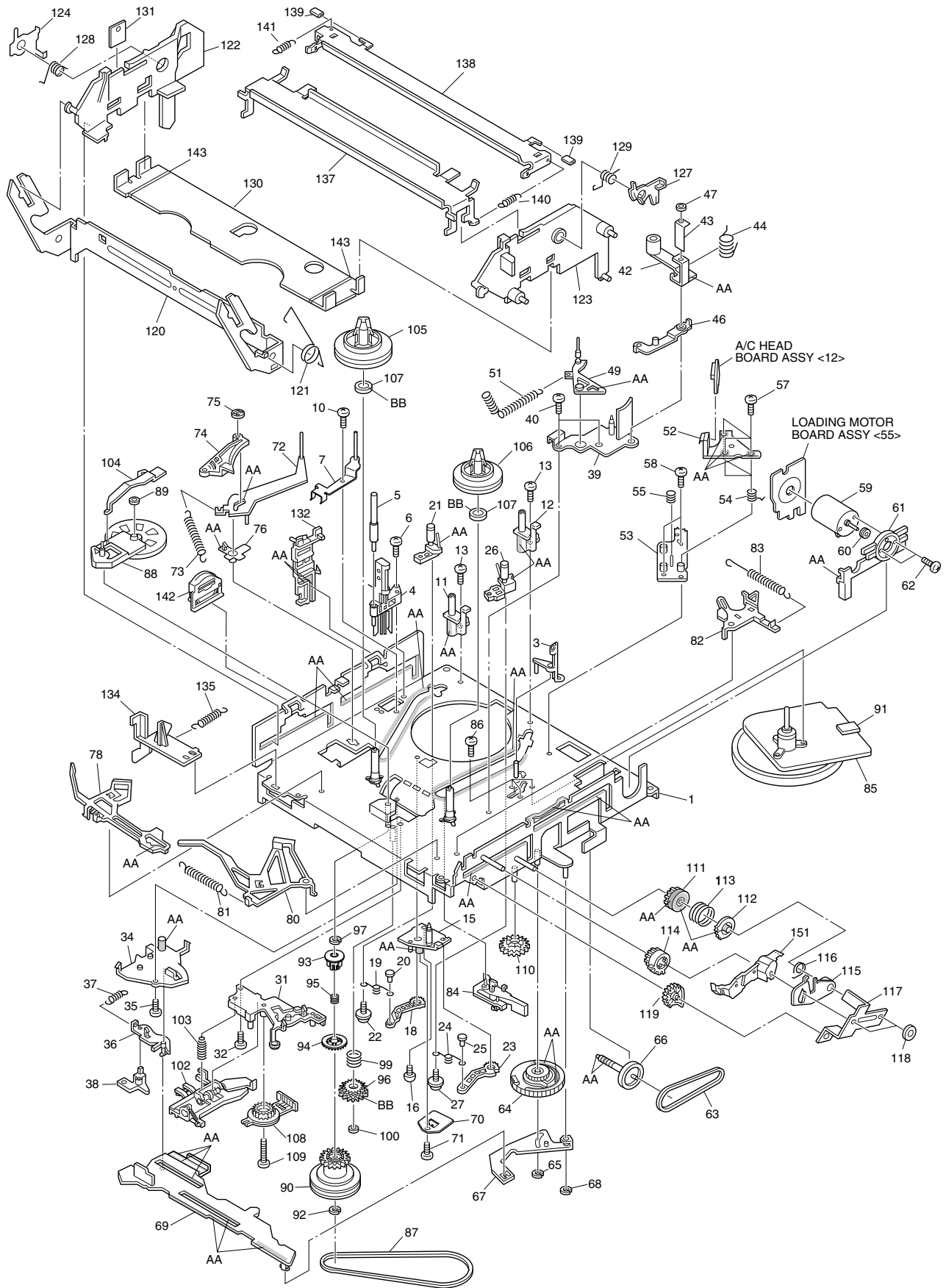


#	△ REF No.	PART No.	PART NAME, DESCRIPTION	#	△ REF No.	PART No.	PART NAME, DESCRIPTION
---	-----------	----------	------------------------	---	-----------	----------	------------------------

FINAL ASSEMBLY <M2>

△	501	LP10333-020D	FRONT PANEL ASSY,S8850EU
△		LP10333-036C	FRONT PANEL ASSY,S8850EK
	501A	LP20961-010B	CASSETTE DOOR
	501B	PQ46448	TORSION SPRING
△	502	LP10013-051A	TOP COVER
	503	QYTDSF3010R	SCREW,X4 TOP COVER(SIDE)
	504	QYTDSF3010M	SCREW,TOP COVER(REAR)
	505	LP20981-013A	DRUM SUB ASSY
	505E	LP40323-001A	CONTACT
	505F	LP30004-014A	COMPRESSION SPRING
	506	PDZ0179-1-4	ROTOR ASSY
	507	QYSPSP3006Z	SCREW,X2
△	508	QAR0169-002	STATOR ASSY
	509	QYSPSPH2606Z	SCREW,X2
	510	QYTDST2610Z	SCREW,X3 DRUM
△	511	LP10108-016E	BOTTOM CHASSIS
△	512	LP10014-002B	BOTTOM COVER
	513	LP30312-001B	BRACKET(CHASSIS)
	514	QYTDSF3010Z	SCREW,X2
	515	LP40700-001A	SPECIAL SCREW,MECHA
	516	QYTDSF3010Z	SCREW,X2 MECHA
△	517	QMP4A10-170	POWER CORD,S8850EU
△		QMP51K0-170-K	POWER CORD,S8850EK
	519	LP40407-001A	KNOB ASSY
	520	LP40370-001E	ROLLER ARM ASSY
	520A	PDM4311A-1	ROLLER ASSY
	521	PQ45160	INERTIA PLATE
	522	LP40226-001A	PC SUPPORT,X2
	524	LP40253-001B	STOPPER
	525	PQ40413	SPECIAL SCREW,MECHA
	529	LP31019-001C	KNOB ASSY
	530	QYTDSF3010Z	SCREW,MAIN
	531	DPSF3010Z	SCREW,X3 MAIN
	532	LP40628-001B	PC SUPPORT,MINI FRONT
	533	QYTPSFG2608Z	SCREW,X2 ADV.JOG
	534	QYTDSF2608Z	SCREW,X2 S JACK
	WR1	QUQ212-0524CG	FFC WIRE,DRUM CN3001
	WR2	WJT0005-001A	E-CARD WIRE,A/C HEAD CN2001
	WR3	QUQ112-0914CG	FFC WIRE,ADV.JOG CN7005
	WR4	QUQ212-0456CG	FFC WIRE,S JACK CN916
	WR5	QUQ112-0914CG	FFC WIRE,MINI FRONT CN7001

5.3 MECHANISM ASSEMBLY <M4>



Classification	Part No.	Symbol in drawing
Grease	KYODO-SH-P	AA
Oil	COSMO-HV56	BB

NOTE:The section marked in **AA** and **BB** indicate lubrication and greasing areas.

#	△	REF No.	PART No.	PART NAME, DESCRIPTION	#	△	REF No.	PART No.	PART NAME, DESCRIPTION

MECHANISM ASSEMBLY <M4>									
1			LP20821-006A	MAIN DECK ASSY	75			PQ46302-1-3	ADJUST PIN
3			LP30492-002B	GUIDE POLE GUARD	76			LP30232-002A	TENSION ARM BEARING
4			NAH0001-001	FULL ERASE HEAD	78			LP40532-008B	MAIN BRAKE ASSY (SUPPLY)
5			LP40098-001B	GUIDE POLE(SUPPLY)	80			LP40111-011A	MAIN BRAKE ASSY (TAKE UP)
6			QYTDST2608Z	SCREW,FE HEAD	81			LP30003-026A	TENSION SPRING
7			LP40637-002A	TENSION STUD BASE ASSY	82			LP40112-001F	SUB BRAKE ASSY(TAKE UP)
10			QYTDST2606Z	SCREW	83			LP40357-002A	TENSION SPRING
11			LP30409-002C	UV CATCHER 2(SUPPLY)	84			LP40461-001A	CAPSTAN BRAKE ASSY
12			LP30409-002C	UV CATCHER 2(TAKE UP)	85			QAR0087-005	CAPSTAN MOTOR
13			QYTPST2606Z	SCREW,X2	86			QYTDST2606M	SCREW,X3
15			LP30223-003C	LOADING ARM GEAR SHAFT	87			LP30005-007A	BELT,CAPSTAN MOTOR
16			QYTDST2606Z	SCREW	88			LP40114-012A	IDLER ARM ASSY
18			LP30224-001B	LOADING ARM GEAR(SUPPLY)	89			LP40599-001A	WASHER
19			LP40099-001A	TORSION ARM	90			LP40593-001A	CLUTCH UNIT 3
20			LP40100-001A	PIN	91			LP30002-097A	SPACER,CAPSTAN MOTOR
21			LP40101-006A	POLE BASE ASSY(SUPPLY)	92			PQM30017-47	SLIT WASHER
22			QYSPSTG2606Z	SCREW	93			LP30696-002A	CLUTCH GEAR 4
23			LP40103-002B	LOADING ARM GEAR(TAKE UP)	94			LP30697-003A	COUPLING GEAR
24			LP40099-001A	TORSION ARM	95			LP40554-002A	COMPRESSION SPRING
25			LP40100-002A	PIN	96			LP40442-001A	DIRECT GEAR
26			LP40104-006A	POLE BASE ASSY(TAKE UP)	97			LP30017-019A	SPACER
27			QYSPSTG2606Z	SCREW	99			LP40483-002A	COMPRESSION SPRING
31			LP20233-004B	ROTARY ENCODER GUIDE	100			LP30016-001A	SLIT WASHER
32			QYTPST2606Z	SCREW	102			LP40484-001J	CHANGE LEVER ASSY
34			LP30226-004E	CONTROL PLATE GUIDE	103			LP40512-002B	COMPRESSION SPRING
35			QYTPST2605Z	SCREW	104			LP30236-002C	IDLER LEVER
36			LP30249-003B	TAKE UP LEVER	105			LP20237-001B	REEL DISK (SUPPLY)
37			LP30003-006A	TENSION SPRING	106			LP20238-001B	REEL DISK (TAKE UP)
38			LP40119-002A	TAKE UP HEAD	107			LP30017-015A	SPACER,X2
39			LP20234-004B	LID GUIDE	108			QSW0554-003	ROTARY ENCODER
40			QYTDST2606Z	SCREW,X2	109			QYTPST2620Z	SCREW
42			LP40105-003A	PINCH ROLLER ARM ASSY	110			LP30237-002B	CASSETTE GEAR
43			LP40753-001A	PINCH ROLLER SHEET3	111			LP30239-002G	LIMIT GEAR(1)
44			LP40148-002A	TORSION SPRING	112			LP30240-002G	LIMIT GEAR(2)
46			LP40149-001C	PRESS LEVER ASSY	113			LP40136-001E	TORSION SPRING
49			LP40106-007A	GUIDE ARM ASSY	114			LP30242-002A	RELAY GEAR
51			LP40134-002A	TENSION SPRING	115			LP30339-002E	OPENER GUIDE
52			QAH0058-001	AC HEAD	116			LP40545-001A	TORSION SPRING
53			LP30228-001C	HEAD BASE	117			LP40214-001B	C.H.BRACKET
54			LP30004-013A	COMPRESSION SPRING,X3	118			PQM30017-47	SLIT WASHER,X2
55			LP40236-001A	COMPRESSION SPRING	119			LP30243-002A	DRIVE GEAR
57			LP40213-002B	SPECIAL SCREW,X3	120			LP20240-001G	DRIVE ARM
58			QYTDST2608Z	SCREW,X2	121			LP40137-001A	TORSION SPRING
59			QAR0023-001	LOADING MOTOR	122			LP10081-002L	SIDE HOLDER(L)
60			PQ43546-1-2	MOTOR PULLEY	123			LP10082-002M	SIDE HOLDER(R)
61			LP30230-001B	MOTOR GUIDE	124			LP30255-006A	LOCK LEVER(L)
62			QYTPSP3003Z	SCREW,X2	127			LP30256-001H	LOCK LEVER(R)
63			LP30005-003A	BELT,LOADING MOTOR	128			LP40168-003A	TORSION SPRING(L)
64			LP20791-002D	CONTROL CAM	129			LP40218-001B	TORSION SPRING(R)
65			PQM30017-24	SLIT WASHER	130			LP30257-001G	CASSETTE HOLDER
66			LP40120-001A	WORM GEAR	131			LP40852-001A	EARTH PLATE
67			LP40107-002A	LINK LEVER ASSY	132			LP30244-002G	GUIDE RAIL
68			PQM30017-24	SLIT WASHER	134			LP30245-002F	REC SAFETY LEVER
69			LP10201-003G	CONTROL PLATE	135			LP30003-004A	TENSION SPRING
70			LP40379-001B	CONTROL BRACKET(1)	137			LP20578-001C	TOP GUIDE
71			QYTDST2608M	SCREW	138			LP30500-001C	HOLD PLATE
72			LP40108-002A	TENSION ARM ASSY	139			LP40450-003A	PAD,X2
73			LP30003-010A	TENSION SPRING	140			LP30003-025B	TENSION SPRING
74			LP40109-003D	TENSION BRAKE ASSY	141			LP30003-024A	TENSION SPRING
					142			LP40481-003A	ROLLER CAM ASSY
					143			LP30019-014A	PAD,X2
					152			LP20324-003B	DOOR OPENER

5.4 ELECTRICAL PARTS LIST

#	△ REF No.	PART No.	PART NAME, DESCRIPTION

MAIN BOARD ASSEMBLY <03>			
PW1		LPA10140-02C	MAIN BOARD ASSY
IC1		JCP8050-MSA	IC
IC201		LC74775-9750	IC
IC3001		HD6432194SBD04F	IC
IC3002		IC-PST3427U-X	IC
IC3003		24LC32A-I/SN-X	IC
		or HN58X2432FPI	IC
		or BR24C32F	IC
IC3004		BA6956AN	IC
IC5301		L5431	IC
		or MM1431AT	IC
		or UTCTL431	IC
IC7001		PT6312LQ	IC
		or UPD16312GB/H/	IC
IC7003		GP1U291Q	IR DETECT UNIT
		or PIC-28143LJ	IR DETECT UNIT
		or PIC-37143LJ	IR DETECT UNIT
		or PNA4652M00YC	IR DETECT UNIT
Q5		2SB1218A/QR/-X	TRANSISTOR
		or 2PA1576/R/-X	TRANSISTOR
		or 2SA1576A/QR/-X	TRANSISTOR
Q7		2SD1819A/QRS/-X	TRANSISTOR
		or 2PC4081/R/-X	TRANSISTOR
		or 2SC4081/QRS/-X	TRANSISTOR
Q8		2SD1819A/QRS/-X	TRANSISTOR
		or 2SC4081/QRS/-X	TRANSISTOR
		or 2PC4081/R/-X	TRANSISTOR
Q9		2SB1218A/QR/-X	TRANSISTOR
		or 2PA1576/R/-X	TRANSISTOR
		or 2SA1576A/QR/-X	TRANSISTOR
Q10		2SA1576A/QR/-X	TRANSISTOR
Q17		DTC144WU	TRANSISTOR
		or PDTC144WU	TRANSISTOR
		or RN1309	TRANSISTOR
		or UN521E	TRANSISTOR
Q18		2SB1218A/QR/-X	TRANSISTOR
		or 2SA1576A/QR/-X	TRANSISTOR
		or 2PA1576/R/-X	TRANSISTOR
Q21		2SB1218A/QR/-X	TRANSISTOR
		or 2PA1576/R/-X	TRANSISTOR
		or 2SA1576A/QR/-X	TRANSISTOR
Q24		2SB1218A/QR/-X	TRANSISTOR
		or 2SA1576A/QR/-X	TRANSISTOR
		or 2PA1576/R/-X	TRANSISTOR
Q25		DTC144WU	TRANSISTOR
		or PDTC144WU	TRANSISTOR
		or RN1309	TRANSISTOR
		or UN521E	TRANSISTOR
Q38		2SD1819A/QRS/-X	TRANSISTOR
		or 2PC4081/R/-X	TRANSISTOR
		or 2SC4081/QRS/-X	TRANSISTOR
Q41		DTC144WU	TRANSISTOR
		or PDTC144WU	TRANSISTOR
		or RN1309	TRANSISTOR
		or UN521E	TRANSISTOR
Q207		2SB1218A/QR/-X	TRANSISTOR
		or 2SA1576A/QR/-X	TRANSISTOR

#	△ REF No.	PART No.	PART NAME, DESCRIPTION
		or 2PA1576/R/-X	TRANSISTOR
Q208		2SD1819A/QRS/-X	TRANSISTOR
		or 2PC4081/R/-X	TRANSISTOR
		or 2SC4081/QRS/-X	TRANSISTOR
Q401		2SA1576A/QR/-X	TRANSISTOR
Q402		2SA1576A/QR/-X	TRANSISTOR
Q403		DTC144WU	TRANSISTOR
		or PDTC144WU	TRANSISTOR
		or RN1309	TRANSISTOR
		or UN521E	TRANSISTOR
Q404		DTC144WU	TRANSISTOR
		or PDTC144WU	TRANSISTOR
		or RN1309	TRANSISTOR
		or UN521E	TRANSISTOR
Q405		2SA1576A/QR/-X	TRANSISTOR
Q2001		2SC4081/QRS/-X	TRANSISTOR
		or 2PC4081/R/-X	TRANSISTOR
		or 2SD1819A/QRS/-X	TRANSISTOR
Q2002		2SC4081/QRS/-X	TRANSISTOR
		or 2SD1819A/QRS/-X	TRANSISTOR
		or 2PC4081/R/-X	TRANSISTOR
Q2003		DTA144WU	TRANSISTOR
		or PDTA144WU	TRANSISTOR
		or RN2309	TRANSISTOR
		or UN511E	TRANSISTOR
Q2004		DTC114EU	TRANSISTOR
		or PDTC114EU	TRANSISTOR
		or RN1302	TRANSISTOR
		or UN5211	TRANSISTOR
Q2051		2SC4081/QRS/-X	TRANSISTOR
		or 2PC4081/R/-X	TRANSISTOR
		or 2SD1819A/QRS/-X	TRANSISTOR
Q2052		2SA1576A/QR/-X	TRANSISTOR
		or 2SB1218A/QR/-X	TRANSISTOR
		or 2PA1576/R/-X	TRANSISTOR
Q2053		DTC144WU	TRANSISTOR
		or PDTC144WU	TRANSISTOR
		or RN1309	TRANSISTOR
		or UN521E	TRANSISTOR
Q2054		2SA1576A/QR/-X	TRANSISTOR
		or 2PA1576/R/-X	TRANSISTOR
		or 2SB1218A/QR/-X	TRANSISTOR
Q2055		DTC144WU	TRANSISTOR
		or PDTC144WU	TRANSISTOR
		or RN1309	TRANSISTOR
		or UN521E	TRANSISTOR
Q2061		2SC4081/QRS/-X	TRANSISTOR
		or 2SD1819A/QRS/-X	TRANSISTOR
		or 2PC4081/R/-X	TRANSISTOR
Q2062		2SA1576A/QR/-X	TRANSISTOR
		or 2PA1576/R/-X	TRANSISTOR
		or 2SB1218A/QR/-X	TRANSISTOR
Q2063		DTC144WU	TRANSISTOR
		or PDTC144WU	TRANSISTOR
		or RN1309	TRANSISTOR
		or UN521E	TRANSISTOR
Q2251		DTA144WU	TRANSISTOR
		or PDTA144WU	TRANSISTOR
		or RN2309	TRANSISTOR
		or UN511E	TRANSISTOR
Q2252		DTC114EU	TRANSISTOR

#	△ REF No.	PART No.	PART NAME, DESCRIPTION	#	△ REF No.	PART No.	PART NAME, DESCRIPTION
		or PDTC114EU	TRANSISTOR	Q5322		DTC114TU	TRANSISTOR
		or UN5211	TRANSISTOR			or PDTC114TU	TRANSISTOR
		or RN1302	TRANSISTOR			or UN5215	TRANSISTOR
Q3001		2SD1819A/QRS/-X	TRANSISTOR			or RN1311	TRANSISTOR
		or 2SC4081/QRS/-X	TRANSISTOR	Q5323		2SB927/ST/-T	TRANSISTOR
		or 2PC4081/R/-X	TRANSISTOR	Q6030		2SB1218A/QR/-X	TRANSISTOR
Q3002		PTZ-NV16	PHOTO TRANSISTOR			or 2PA1576/R/-X	TRANSISTOR
		or PTZ-NV16A	PHOTO TRANSISTOR			or 2SA1576A/QR/-X	TRANSISTOR
Q3003		PTZ-NV16	PHOTO TRANSISTOR	Q6031		DTC114EU	TRANSISTOR
		or PTZ-NV16A	PHOTO TRANSISTOR			or PDTC114EU	TRANSISTOR
Q3004		2SD1819A/QRS/-X	TRANSISTOR			or RN1302	TRANSISTOR
		or 2SC4081/QRS/-X	TRANSISTOR			or UN5211	TRANSISTOR
		or 2PC4081/R/-X	TRANSISTOR	Q6032		DTC114EU	TRANSISTOR
Q3005		2SD1819A/QRS/-X	TRANSISTOR			or PDTC114EU	TRANSISTOR
		or 2SC4081/QRS/-X	TRANSISTOR			or RN1302	TRANSISTOR
		or 2PC4081/R/-X	TRANSISTOR			or UN5211	TRANSISTOR
Q3007		UN521E	TRANSISTOR	Q7201		2SC1317/RS/-T	TRANSISTOR
		or RN1309	TRANSISTOR	D1		DA204U	DIODE
		or DTC144WU	TRANSISTOR	D6		MTZJ5.1C	ZENER DIODE
		or PDTC144WU	TRANSISTOR	D201		QRE141J-152Y	RESISTOR
Q3901		UN521E	TRANSISTOR				1.5kΩ,1/4W
		or RN1309	TRANSISTOR	D202		QRE141J-101Y	RESISTOR
		or DTC144WU	TRANSISTOR				100Ω,1/4W
		or PDTC144WU	TRANSISTOR	D203		QRE141J-101Y	RESISTOR
							100Ω,1/4W
Q4001		UN5211	TRANSISTOR	D2202		MTZJ8.2C	ZENER DIODE
		or RN1302	TRANSISTOR	D3001		LNB2301L01VI	LE DIODE
		or PDTC114EU	TRANSISTOR	D3002		1SS133	DIODE
		or DTC114EU	TRANSISTOR			or 1SS270A	DIODE
Q5101		2SK2632-CB14	POWER MOS FET	D3003		RD39ES/B3/-T2	ZENER DIODE
		or 2SK2632	POWER MOS FET			or MTZJ39C	ZENER DIODE
		or 2SK2129	POWER MOS FET	D3004		11ES2	DIODE
		or 2SK2129-LT	POWER MOS FET			or 1A3G	DIODE
Q5102		2SD2144S/UV/-T	TRANSISTOR	D3005		11ES2	DIODE
Q5301		2SB1256	TRANSISTOR			or 1A3G	DIODE
Q5302		2SD2375/QP/	TRANSISTOR	D3008		1SS355	DIODE
Q5303		2SD1819A/RS/-X	TRANSISTOR	D4001		QUY153-050Y	IM BUS WIRE
		or 2SC4081/RS/-X	TRANSISTOR	D4002		QUY153-050Y	IM BUS WIRE
		or 2PC4081/R/-X	TRANSISTOR	D5001		S1WB/A/60-4102	BRIDGE DIODE
Q5304		2SC3616/ML/-T	TRANSISTOR			or S1WB/A/60-X	BRIDGE DIODE
Q5305		DTA114EU	TRANSISTOR			or S1WB(A)60F4072X	BRIDGE DIODE
		or PDTA114EU	TRANSISTOR	D5101		AU01	FR DIODE
		or UN5111	TRANSISTOR			or ERA18-04-T2	FR DIODE
		or RN2302	TRANSISTOR			or 1SR153-400-T2	FR DIODE
Q5306		DTC114EU	TRANSISTOR			or 10ELS4	FR DIODE
		or RN1302	TRANSISTOR	D5102		AU01	FR DIODE
		or UN5211	TRANSISTOR			or ERA18-04-T2	FR DIODE
		or PDTC114EU	TRANSISTOR			or 1SR153-400-T2	FR DIODE
Q5308		2SA1576A/RS/-X	TRANSISTOR			or 10ELS4	FR DIODE
Q5311		DTC114TU	TRANSISTOR	D5103		1SS133	DIODE
		or PDTC114TU	TRANSISTOR			or 1SS270A	DIODE
		or RN1311	TRANSISTOR	D5105		1SS133	DIODE
		or UN5215	TRANSISTOR			or 1SS270A	DIODE
Q5312		2SD2144S/UV/-T	TRANSISTOR	D5201		AK04	DIODE
Q5318		DTA114EU	TRANSISTOR			or 1S4	SB DIODE
		or PDTA114EU	TRANSISTOR			or 11EQS04	SB DIODE
		or UN5111	TRANSISTOR	D5203		AU01Z	FR DIODE
		or RN2302	TRANSISTOR			or 10ELS2	FR DIODE
Q5320		DTC114EU	TRANSISTOR	D5204		AU01Z	FR DIODE
		or PDTC114EU	TRANSISTOR			or 10ELS2	FR DIODE
		or UN5211	TRANSISTOR	D5206		FMB-24	BARRIER DIODE
		or RN1302	TRANSISTOR			or SB640FCT	SB DIODE
						or SF5SC4	SB DIODE
						or YG801C04	SB DIODE

#	△ REF No.	PART No.	PART NAME, DESCRIPTION	
		or FSQ05A04B	SB DIODE	
D5209		ERA18-02-T2	FR DIODE	
		or PG104RS	FR DIODE	
		or 10ELS2	FR DIODE	
		or 1SR153-400-T2	FR DIODE	
D5210		AU01Z	FR DIODE	
		or PG104RS	FR DIODE	
		or 10ELS2	FR DIODE	
		or ERA18-02-T2	FR DIODE	
		or 1SR153-400-T2	FR DIODE	
D5211		AU01Z	FR DIODE	
		or ERA18-02-T2	FR DIODE	
		or PG104RS	FR DIODE	
		or 1SR153-400-T2	FR DIODE	
		or 10ELS2	FR DIODE	
D5301		MTZJ15C	ZENER DIODE	
		or RD15ES/B3/-T2	ZENER DIODE	
D5302		1SS133	DIODE	
		or 1SS270A	DIODE	
D5303		RD5.1JS/B2/-T2	ZENER DIODE	
		or MA4051N/M/-T2	ZENER DIODE	
D5304		1SS133	DIODE	
		or 1SS270A	DIODE	
D5305		AK04	DIODE	
		or 1S4	SB DIODE	
		or 11EQS04	SB DIODE	
D5307		11ES2	DIODE	
		or 1A3G	DIODE	
		or ERA15-02-T2	DIODE	
D5308		MTZJ11B	ZENER DIODE	
		or RD11ES/B2/-T2	ZENER DIODE	
D5309		MTZJ27C	ZENER DIODE	
		or RD27ES/B3/-T2	ZENER DIODE	
D5310		1SS133	DIODE	
		or 1SS270A	DIODE	
D5316		QUY160-100Y	IM BUS WIRE	
D5317		1SS133	DIODE	
		or 1SS270A	DIODE	
D5318		11ES2	DIODE	
		or 1A3G	DIODE	
		or ERA15-02-T2	DIODE	
D5319		11ES2	DIODE	
		or 1A3G	DIODE	
		or ERA15-02-T2	DIODE	
D6002		HZ30-2L-T2	ZENER DIODE	
		or HZ30-2LTD	Z DIODE (M)	
D7001		RD9.1ES/B2/-T2	ZENER DIODE	
		or UZ9.1BSB	ZENER DIODE	
		or MTZJ9.1B	ZENER DIODE	
D7003		1SS133	DIODE	
		or 1SS270A	DIODE	
D7004		1SS133	DIODE	
		or 1SS270A	DIODE	
D7005		1SS133	DIODE	
		or 1SS270A	DIODE	
D7006		1SS133	DIODE	
		or 1SS270A	DIODE	
D7008		SLR-325MC-T	LE DIODE	
D7009		SLR-325VC-T	LE DIODE	
R1		NRVA02D-682X	CMF RESISTOR	6.8kΩ,1/10W
R2		NRVA02D-152X	CMF RESISTOR	1.5kΩ,1/10W

#	△ REF No.	PART No.	PART NAME, DESCRIPTION	
R3		NRSA02J-182X	MG RESISTOR	1.8kΩ,1/10W
R5		NRSA02J-0R0X	MG RESISTOR	0Ω,1/10W
R6		NRSA02J-273X	MG RESISTOR	27kΩ,1/10W
R7		NRSA02J-681X	MG RESISTOR	680Ω,1/10W
R8		NRSA02J-0R0X	MG RESISTOR	0Ω,1/10W
R9		NRSA02J-0R0X	MG RESISTOR	0Ω,1/10W
R23		NRSA02J-182X	MG RESISTOR	1.8kΩ,1/10W
R25		NRSA02J-103X	MG RESISTOR	10kΩ,1/10W
R26		NRSA02J-682X	MG RESISTOR	6.8kΩ,1/10W
R27		NRSA02J-221X	MG RESISTOR	220Ω,1/10W
R28		NRSA02J-221X	MG RESISTOR	220Ω,1/10W
R29		NRSA02J-561X	MG RESISTOR	560Ω,1/10W
R30		NRSA02J-0R0X	MG RESISTOR	0Ω,1/10W
R31		NRSA02J-152X	MG RESISTOR	1.5kΩ,1/10W
R32		NRSA02J-471X	MG RESISTOR	470Ω,1/10W
R33		NRSA02J-153X	MG RESISTOR	15kΩ,1/10W
R36		NRSA02J-182X	MG RESISTOR	1.8kΩ,1/10W
R38		NRSA02J-102X	MG RESISTOR	1kΩ,1/10W
R40		NRSA02J-222X	MG RESISTOR	2.2kΩ,1/10W
R41		NRSA02J-392X	MG RESISTOR	3.9kΩ,1/10W
R42		NRSA02J-681X	MG RESISTOR	680Ω,1/10W
R46		NRSA02J-471X	MG RESISTOR	470Ω,1/10W
R48		QRE141J-102Y	RESISTOR	1kΩ,1/4W
R51		NRSA02J-122X	MG RESISTOR	1.2kΩ,1/10W
R54		NRSA02J-152X	MG RESISTOR	1.5kΩ,1/10W
R62		NRSA02J-101X	MG RESISTOR	100Ω,1/10W
R70		NRSA02J-0R0X	MG RESISTOR	0Ω,1/10W
R77		NRSA02J-103X	MG RESISTOR	10kΩ,1/10W
R88		NRSA02J-0R0X	MG RESISTOR	0Ω,1/10W
R90		NRSA02J-391X	MG RESISTOR	390Ω,1/10W
R92		NRSA02J-152X	MG RESISTOR	1.5kΩ,1/10W
R93		NRSA02J-222X	MG RESISTOR	2.2kΩ,1/10W
R104		NRSA02J-682X	MG RESISTOR	6.8kΩ,1/10W
R113		NRSA02J-101X	MG RESISTOR	100Ω,1/10W
R117		NRSA02J-104X	MG RESISTOR	100kΩ,1/10W
R118		NRSA02J-0R0X	MG RESISTOR	0Ω,1/10W
R201		NRSA02J-0R0X	MG RESISTOR	0Ω,1/10W
R202		NRSA02J-103X	MG RESISTOR	10kΩ,1/10W
R208		NRSA02J-222X	MG RESISTOR	2.2kΩ,1/10W
R209		NRSA02J-512X	MG RESISTOR	5.1kΩ,1/10W
R210		NRSA02J-182X	MG RESISTOR	1.8kΩ,1/10W
R211		NRSA02J-562X	MG RESISTOR	5.6kΩ,1/10W
R212		NRSA02J-101X	MG RESISTOR	100Ω,1/10W
R213		QRE141J-0R0Y	RESISTOR	0Ω,1/4W
R216		NRSA02J-103X	MG RESISTOR	10kΩ,1/10W
R224		NRSA02J-101X	MG RESISTOR	100Ω,1/10W
R225		NRSA02J-471X	MG RESISTOR	470Ω,1/10W
R226		NRSA02J-102X	MG RESISTOR	1kΩ,1/10W
R401		NRSA02J-221X	MG RESISTOR	220Ω,1/10W
R402		NRSA02J-681X	MG RESISTOR	680Ω,1/10W
R403		NRSA02J-561X	MG RESISTOR	560Ω,1/10W
R404		NRSA02J-473X	MG RESISTOR	47kΩ,1/10W
R405		NRSA02J-683X	MG RESISTOR	68kΩ,1/10W
R406		NRSA02J-393X	MG RESISTOR	39kΩ,1/10W
R407		NRSA02J-472X	MG RESISTOR	4.7kΩ,1/10W
R408		NRSA02J-473X	MG RESISTOR	47kΩ,1/10W
R2001		NRSA02J-681X	MG RESISTOR	680Ω,1/10W
R2002		NRSA02J-272X	MG RESISTOR	2.7kΩ,1/10W
R2003		NRSA02J-101X	MG RESISTOR	100Ω,1/10W
R2005		NRSA02J-0R0X	MG RESISTOR	0Ω,1/10W
R2006		NRSA02J-393X	MG RESISTOR	39kΩ,1/10W

#	△	REF No.	PART No.	PART NAME, DESCRIPTION	#	△	REF No.	PART No.	PART NAME, DESCRIPTION
R2007			NRSA02J-393X	MG RESISTOR	R3025			NRSA02J-102X	MG RESISTOR
R2008			NRSA02J-123X	MG RESISTOR	R3026			NRSA02J-102X	MG RESISTOR
R2009			NRSA02J-123X	MG RESISTOR	R3027			NRSA02J-102X	MG RESISTOR
R2010			NRSA02J-123X	MG RESISTOR	R3029			NRSA02J-102X	MG RESISTOR
R2013			NRSA02J-682X	MG RESISTOR	R3030			NRSA02J-102X	MG RESISTOR
R2014			NRSA02J-224X	MG RESISTOR	R3031			NRSA02J-102X	MG RESISTOR
R2015			NRSA02J-181X	MG RESISTOR	R3032			NRSA02J-102X	MG RESISTOR
R2016			NRSA02J-393X	MG RESISTOR	R3033			NRSA02J-0R0X	MG RESISTOR
R2017			NRSA02J-183X	MG RESISTOR	R3034			NRSA02J-0R0X	MG RESISTOR
R2018			NRSA02J-472X	MG RESISTOR	R3035			NRSA02J-0R0X	MG RESISTOR
R2019			NRSA02J-472X	MG RESISTOR	R3036			NRSA02J-0R0X	MG RESISTOR
R2053			NRSA02J-472X	MG RESISTOR	R3038			NRSA02J-152X	MG RESISTOR
R2054			NRSA02J-153X	MG RESISTOR	R3039			NRSA02J-102X	MG RESISTOR
R2055			NRSA02J-3R3X	MG RESISTOR	R3040			NRSA02J-472X	MG RESISTOR
R2056			NRSA02J-101X	MG RESISTOR	R3041			NRSA02J-0R0X	MG RESISTOR
R2057			NRSA02J-473X	MG RESISTOR	R3042			NRSA02J-0R0X	MG RESISTOR
R2058			NRSA02J-183X	MG RESISTOR	R3044			NRSA02J-0R0X	MG RESISTOR
R2059			NRSA02J-473X	MG RESISTOR	R3046			NRSA02J-102X	MG RESISTOR
R2060			NRSA02J-183X	MG RESISTOR	R3047			NRSA02J-102X	MG RESISTOR
R2061			NRSA02J-273X	MG RESISTOR	R3048			NRSA02J-0R0X	MG RESISTOR
R2062			NRSA02J-3R3X	MG RESISTOR	R3049			NRSA02J-0R0X	MG RESISTOR
R2063			NRSA02J-151X	MG RESISTOR	R3050			NRSA02J-0R0X	MG RESISTOR
R2064			NRSA02J-473X	MG RESISTOR	R3051			NRSA02J-471X	MG RESISTOR
R2065			NRSA02J-183X	MG RESISTOR	R3052			NRSA02J-471X	MG RESISTOR
R2201			QRE141J-121Y	RESISTOR	R3053			NRSA02J-471X	MG RESISTOR
R2202			NRSA02J-222X	MG RESISTOR	R3054			NRSA02J-102X	MG RESISTOR
R2203			NRSA02J-222X	MG RESISTOR	R3055			NRSA02J-102X	MG RESISTOR
R2204			NRSA02J-102X	MG RESISTOR	R3056			NRSA02J-102X	MG RESISTOR
R2205			NRSA02J-102X	MG RESISTOR	R3057			NRSA02J-102X	MG RESISTOR
R2206			NRSA02J-101X	MG RESISTOR	R3058			NRSA02J-102X	MG RESISTOR
R2208			NRSA02J-101X	MG RESISTOR	R3059			NRSA02J-0R0X	MG RESISTOR
R2209			NRSA02J-101X	MG RESISTOR	R3060			NRSA02J-102X	MG RESISTOR
R2210			NRSA02J-103X	MG RESISTOR	R3061			NRSA02J-102X	MG RESISTOR
R2211			NRSA02J-103X	MG RESISTOR	R3062			NRSA02J-103X	MG RESISTOR
R2213			NRSA02J-393X	MG RESISTOR	R3063			NRSA02J-0R0X	MG RESISTOR
R2215			NRSA02J-153X	MG RESISTOR	R3066			NRSA02J-472X	MG RESISTOR
R2217			NRSA02J-0R0X	MG RESISTOR	R3069			NRSA02J-101X	MG RESISTOR
R2218			NRSA02J-393X	MG RESISTOR	R3071			NRSA02J-103X	MG RESISTOR
R2219			NRSA02J-393X	MG RESISTOR	R3072			NRSA02J-0R0X	MG RESISTOR
R2220			NRSA02J-393X	MG RESISTOR	R3073			NRSA02J-0R0X	MG RESISTOR
R2222			NRSA02J-123X	MG RESISTOR	R3074			NRSA02J-0R0X	MG RESISTOR
R2223			NRSA02J-123X	MG RESISTOR	R3075			NRSA02J-471X	MG RESISTOR
R2224			NRSA02J-123X	MG RESISTOR	R3076			NRSA02J-471X	MG RESISTOR
R2225			NRSA02J-153X	MG RESISTOR	R3077			NRSA02J-0R0X	MG RESISTOR
R2226			NRSA02J-123X	MG RESISTOR	R3078			NRSA02J-0R0X	MG RESISTOR
R2227			NRSA02J-123X	MG RESISTOR	R3079			NRSA02J-0R0X	MG RESISTOR
R2228			NRSA02J-103X	MG RESISTOR	R3080			NRSA02J-0R0X	MG RESISTOR
R2229			NRSA02J-563X	MG RESISTOR	R3081			NRSA02J-0R0X	MG RESISTOR
R2251			NRSA02J-102X	MG RESISTOR	R3083			NRSA02J-0R0X	MG RESISTOR
R3011			NRSA02J-102X	MG RESISTOR	R3085			NRSA02J-0R0X	MG RESISTOR
R3012			NRSA02J-102X	MG RESISTOR	R3086			NRSA02J-0R0X	MG RESISTOR
R3013			NRSA02J-102X	MG RESISTOR	R3087			NRSA02J-0R0X	MG RESISTOR
R3014			NRSA02J-102X	MG RESISTOR	R3088			NRSA02J-0R0X	MG RESISTOR
R3015			NRSA02J-102X	MG RESISTOR	R3089			NRSA02J-0R0X	MG RESISTOR
R3016			NRSA02J-102X	MG RESISTOR	R3091			NRSA02J-0R0X	MG RESISTOR
R3017			NRSA02J-102X	MG RESISTOR	R3092			NRSA02J-102X	MG RESISTOR
R3018			NRSA02J-682X	MG RESISTOR	R3093			NRSA02J-0R0X	MG RESISTOR
R3019			NRSA02J-102X	MG RESISTOR	R3094			NRSA02J-0R0X	MG RESISTOR
R3020			NRSA02J-102X	MG RESISTOR	R3095			NRSA02J-0R0X	MG RESISTOR
R3021			NRSA02J-102X	MG RESISTOR	R3096			NRSA02J-0R0X	MG RESISTOR
R3022			NRSA02J-102X	MG RESISTOR	R3097			NRSA02J-0R0X	MG RESISTOR

#	△ REF No.	PART No.	PART NAME, DESCRIPTION	#	△ REF No.	PART No.	PART NAME, DESCRIPTION
R3103		NRSA02J-0R0X	MG RESISTOR 0Ω,1/10W	R5106		QRT01DJ-R39X	MF RESISTOR 0.39Ω,1W
R3104		NRSA02J-0R0X	MG RESISTOR 0Ω,1/10W	R5107		QRE121J-331Y	RESISTOR 330Ω,1/2W
R3105		NRSA02J-0R0X	MG RESISTOR 0Ω,1/10W	R5108		NRSA02J-122X	MG RESISTOR 1.2kΩ,1/10W
R3106		NRSA02J-0R0X	MG RESISTOR 0Ω,1/10W	R5109		QRE141J-681Y	RESISTOR 680Ω,1/4W
R3201		NRSA02J-103X	MG RESISTOR 10kΩ,1/10W	R5110		NRSA02J-224X	MG RESISTOR 220kΩ,1/10W
R3202		NRSA02J-472X	MG RESISTOR 4.7kΩ,1/10W	R5111		NRSA02J-561X	MG RESISTOR 560Ω,1/10W
R3203		NRSA02J-103X	MG RESISTOR 10kΩ,1/10W	R5112		NRSA02J-221X	MG RESISTOR 220Ω,1/10W
R3204		NRSA02J-222X	MG RESISTOR 2.2kΩ,1/10W	R5301		NRSA02J-472X	MG RESISTOR 4.7kΩ,1/10W
R3205		QRE141J-181Y	RESISTOR 180Ω,1/4W	R5302		NRSA02J-102X	MG RESISTOR 1kΩ,1/10W
R3206		NRSA02J-183X	MG RESISTOR 18kΩ,1/10W	R5303		NRSA02J-122X	MG RESISTOR 1.2kΩ,1/10W
R3207		QRE141J-183Y	RESISTOR 18kΩ,1/4W	R5304		NRSA02J-471X	MG RESISTOR 470Ω,1/10W
R3208		NRSA02J-181X	MG RESISTOR 180Ω,1/10W	R5305		NRSA02J-102X	MG RESISTOR 1kΩ,1/10W
R3209		NRSA02J-273X	MG RESISTOR 27kΩ,1/10W	R5306		NRSA02J-221X	MG RESISTOR 220Ω,1/10W
R3210		NRSA02J-181X	MG RESISTOR 180Ω,1/10W	R5308		NRSA02J-471X	MG RESISTOR 470Ω,1/10W
R3211		NRSA02J-273X	MG RESISTOR 27kΩ,1/10W	R5309		NRSA02J-103X	MG RESISTOR 10kΩ,1/10W
R3212		QRE141J-474Y	RESISTOR 470kΩ,1/4W	R5310		NRSA02J-221X	MG RESISTOR 220Ω,1/10W
R3213		NRSA02J-334X	MG RESISTOR 330kΩ,1/10W	R5311		NRSA02J-103X	MG RESISTOR 10kΩ,1/10W
R3214		NRSA02J-103X	MG RESISTOR 10kΩ,1/10W	R5312		NRVA02D-332X	CMF RESISTOR 3.3kΩ,1/10W
R3215		NRSA02J-103X	MG RESISTOR 10kΩ,1/10W	R5313		NRVA02D-332X	CMF RESISTOR 3.3kΩ,1/10W
R3216		NRSA02J-103X	MG RESISTOR 10kΩ,1/10W	R5314		NRSA02J-102X	MG RESISTOR 1kΩ,1/10W
R3217		QRE141J-562Y	RESISTOR 5.6kΩ,1/4W	R5316		NRVA02D-123X	CMF RESISTOR 12kΩ,1/10W
R3218		QRE141J-472Y	RESISTOR 4.7kΩ,1/4W	R5317		NRSA02J-473X	MG RESISTOR 47kΩ,1/10W
R3219		NRSA02J-472X	MG RESISTOR 4.7kΩ,1/10W	△ R5318		QRZ9005-221X	FUSI RESISTOR 220Ω,1/4W
R3220		NRSA02J-104X	MG RESISTOR 100kΩ,1/10W	R5320		NRSA02J-273X	MG RESISTOR 270kΩ,1/10W
R3222		NRSA02J-472X	MG RESISTOR 4.7kΩ,1/10W	R5321		NRSA02J-273X	MG RESISTOR 27kΩ,1/10W
R3223		NRSA02J-472X	MG RESISTOR 4.7kΩ,1/10W	R5324		NRSA02J-472X	MG RESISTOR 4.7kΩ,1/10W
R3224		NRSA02J-472X	MG RESISTOR 4.7kΩ,1/10W	R5325		QRE141J-222Y	RESISTOR 2.2kΩ,1/4W
R3225		NRSA02J-103X	MG RESISTOR 10kΩ,1/10W	R5326		QRE141J-2R2Y	RESISTOR 2.2Ω,1/4W
R3229		NRSA02J-105X	MG RESISTOR 1MΩ,1/10W	R5327		NRSA02J-222X	MG RESISTOR 2.2kΩ,1/10W
R3230		NRSA02J-472X	MG RESISTOR 4.7kΩ,1/10W	R5329		NRSA02J-102X	MG RESISTOR 1kΩ,1/10W
R3231		NRSA02J-102X	MG RESISTOR 1kΩ,1/10W	R5330		NRSA02J-102X	MG RESISTOR 1kΩ,1/10W
R3233		NRSA02J-103X	MG RESISTOR 10kΩ,1/10W	R5332		QRE141J-222Y	RESISTOR 2.2kΩ,1/4W
R3234		NRSA02J-103X	MG RESISTOR 10kΩ,1/10W	R5344		NRSA02J-472X	MG RESISTOR 4.7kΩ,1/10W
R3235		NRSA02J-332X	MG RESISTOR 3.3kΩ,1/10W	R5345		QRE121J-561Y	RESISTOR 560Ω,1/2W
R3236		NRSA02J-332X	MG RESISTOR 3.3kΩ,1/10W	R6020		NRSA02J-102X	MG RESISTOR 1kΩ,1/10W
R3237		NRSA02J-103X	MG RESISTOR 10kΩ,1/10W	R6021		NRSA02J-102X	MG RESISTOR 1kΩ,1/10W
R3238		NRSA02J-103X	MG RESISTOR 10kΩ,1/10W	R6030		NRSA02J-102X	MG RESISTOR 1kΩ,1/10W
R3239		NRSA02J-103X	MG RESISTOR 10kΩ,1/10W	R6031		NRSA02J-271X	MG RESISTOR 270Ω,1/10W
R3240		NRSA02J-103X	MG RESISTOR 10kΩ,1/10W	R6032		NRSA02J-472X	MG RESISTOR 4.7kΩ,1/10W
R3241		QRE141J-104Y	RESISTOR 100kΩ,1/4W	R6033		NRSA02J-182X	MG RESISTOR 1.8kΩ,1/10W
R3242		NRSA02J-472X	MG RESISTOR 4.7kΩ,1/10W	R6050		QRE141J-101Y	RESISTOR 100Ω,1/4W
R4003		NRSA02J-561X	MG RESISTOR 560Ω,1/10W	R6051		NRSA02J-101X	MG RESISTOR 100Ω,1/10W
R4004		NRSA02J-561X	MG RESISTOR 560Ω,1/10W	R6052		NRSA02J-101X	MG RESISTOR 100Ω,1/10W
R4005		NRSA02J-562X	MG RESISTOR 5.6kΩ,1/10W	R7001		NRSA02J-103X	MG RESISTOR 10kΩ,1/10W
R4007		NRSA02J-102X	MG RESISTOR 1kΩ,1/10W	R7002		NRSA02J-103X	MG RESISTOR 10kΩ,1/10W
R4008		NRSA02J-102X	MG RESISTOR 1kΩ,1/10W	R7003		NRSA02J-103X	MG RESISTOR 10kΩ,1/10W
R4009		NRSA02J-102X	MG RESISTOR 1kΩ,1/10W	R7004		NRSA02J-103X	MG RESISTOR 10kΩ,1/10W
R4010		NRSA02J-103X	MG RESISTOR 10kΩ,1/10W	R7005		NRSA02J-472X	MG RESISTOR 4.7kΩ,1/10W
R4011		NRSA02J-472X	MG RESISTOR 4.7kΩ,1/10W	R7006		NRSA02J-471X	MG RESISTOR 470Ω,1/10W
R4012		NRSA02J-222X	MG RESISTOR 2.2kΩ,1/10W	R7007		QRE141J-103Y	RESISTOR 10kΩ,1/4W
R4013		NRSA02J-102X	MG RESISTOR 1kΩ,1/10W	R7008		QRE141J-563Y	RESISTOR 56kΩ,1/4W
R4015		NRSA02J-562X	MG RESISTOR 5.6kΩ,1/10W	R7009		QRE141J-103Y	RESISTOR 10kΩ,1/4W
R4017		NRSA02J-102X	MG RESISTOR 1kΩ,1/10W	R7010		NRSA02J-0R0X	MG RESISTOR 0Ω,1/10W
R4018		NRSA02J-102X	MG RESISTOR 1kΩ,1/10W	R7011		NRSA02J-333X	MG RESISTOR 33kΩ,1/10W
R4019		NRSA02J-103X	MG RESISTOR 10kΩ,1/10W	R7012		NRSA02J-333X	MG RESISTOR 33kΩ,1/10W
R4020		NRSA02J-103X	MG RESISTOR 10kΩ,1/10W	R7013		NRSA02J-333X	MG RESISTOR 33kΩ,1/10W
R4021		NRSA02J-103X	MG RESISTOR 10kΩ,1/10W	R7014		NRSA02J-333X	MG RESISTOR 33kΩ,1/10W
R5101		QRE141J-334Y	RESISTOR 330kΩ,1/4W	R7015		QRE141J-472Y	RESISTOR 4.7kΩ,1/4W
R5102		QRE141J-334Y	RESISTOR 330kΩ,1/4W	R7016		NRSA02J-103X	MG RESISTOR 10kΩ,1/10W
R5103		QRE141J-683Y	RESISTOR 68kΩ,1/4W	R7017		NRSA02J-331X	MG RESISTOR 330Ω,1/10W
R5104		QRG029J-154G	OMF RESISTOR 150kΩ,2W	R7018		NRSA02J-331X	MG RESISTOR 330Ω,1/10W

#	△	REF No.	PART No.	PART NAME, DESCRIPTION		#	△	REF No.	PART No.	PART NAME, DESCRIPTION	
R7160			NRSA02J-101X	MG RESISTOR	100Ω,1/10W	C59			NCB21HK-103X	CAPACITOR	0.01μF,50V
R7161			NRSA02J-101X	MG RESISTOR	100Ω,1/10W	C60			QEKJ0JM-476	E CAPACITOR	47μF,6.3V
R7162			NRSA02J-101X	MG RESISTOR	100Ω,1/10W	C61			NCB21HK-103X	CAPACITOR	0.01μF,50V
R7163			NRSA02J-750X	MG RESISTOR	75Ω,1/10W	C63			NCB21EK-104X	CAPACITOR	0.1μF,25V
R7202			NRSA02J-221X	MG RESISTOR	220Ω,1/10W	C64			NDC21HJ-220X	CAPACITOR	22pF,50V
R7203			NRSA02J-472X	MG RESISTOR	4.7kΩ,1/10W	C65			QEKJ1HM-105	E CAPACITOR	1μF,50V
R7204			QRE121J-100Y	RESISTOR	10Ω,1/2W	C71			NCB21HK-103X	CAPACITOR	0.01μF,50V
B3			NRSA02J-0R0X	MG RESISTOR	0Ω,1/10W	C72			NDC21HJ-470X	CAPACITOR	47pF,50V
B13			NRSA02J-0R0X	MG RESISTOR	0Ω,1/10W	C73			NDC21HJ-120X	CAPACITOR	12pF,50V
B65			NRSA02J-0R0X	MG RESISTOR	0Ω,1/10W	C80			NCB21HK-103X	CAPACITOR	0.01μF,50V
B203			QUY153-050Y	IM BUS WIRE		C106			NCB21HK-821X	CAPACITOR	820pF,50V
B204			QUY153-050Y	IM BUS WIRE		C108			NDC21HJ-680X	CAPACITOR	68pF,50V
B214			QUY160-280Y	IM BUS WIRE		C109			NCB21CK-224X	CAPACITOR	0.22μF,16V
B3004			QUY160-120Y	IM BUS WIRE		C110			NDC21HJ-820X	CAPACITOR	82pF,50V
B3179			NRSA02J-0R0X	MG RESISTOR	0Ω,1/10W	C114			NDC21HJ-181X	CAPACITOR	180pF,50V
B3962			NRSA02J-0R0X	MG RESISTOR	0Ω,1/10W	C139			NDC21HJ-470X	CAPACITOR	47pF,50V
B3966			NRSA02J-0R0X	MG RESISTOR	0Ω,1/10W	C143			QCFB1HZ-104	CAPACITOR	0.1μF,50V
B3971			NRSA02J-0R0X	MG RESISTOR	0Ω,1/10W	C201			QEKJ0JM-227	E CAPACITOR	220μF,6.3V
B5302			NRSA02J-0R0X	MG RESISTOR	0Ω,1/10W	C204			NCB21HK-103X	CAPACITOR	0.01μF,50V
B5304			NRSA02J-0R0X	MG RESISTOR	0Ω,1/10W	C206			NDC21HJ-330X	CAPACITOR	33pF,50V
B7001			NRSA02J-0R0X	MG RESISTOR	0Ω,1/10W	C207			NDC21HJ-330X	CAPACITOR	33pF,50V
C1			NCB21HK-103X	CAPACITOR	0.01μF,50V	C209			NCB21CK-474X	CAPACITOR	0.47μF,16V
C2			NCB21HK-103X	CAPACITOR	0.01μF,50V	C210			NDC21HJ-101X	CAPACITOR	100pF,50V
C3			NCB21HK-103X	CAPACITOR	0.01μF,50V	C211			NDC21HJ-101X	CAPACITOR	100pF,50V
C4			NCB21HK-103X	CAPACITOR	0.01μF,50V	C212			NCB21EK-104X	CAPACITOR	0.1μF,25V
C5			QEKJ0JM-476	E CAPACITOR	47μF,6.3V	C213			QERF1EM-475	E CAPACITOR	4.7μF,25V
C6			QCB1HK-103	CAPACITOR	0.01μF,50V	C214			NCB21CK-224X	CAPACITOR	0.22μF,16V
C7			NCB21HK-102X	CAPACITOR	0.001μF,50V	C215			NCB21CK-224X	CAPACITOR	0.22μF,16V
C8			NCB21EK-104X	CAPACITOR	0.1μF,25V	C217			NDC21HJ-560X	CAPACITOR	56pF,50V
C9			QEKJ1HM-225	E CAPACITOR	2.2μF,50V	C218			QERF1HM-105	E CAPACITOR	1μF,50V
C10			NDC21HG-151X	CAPACITOR	150pF,50V	C222			NCB21CK-105X	CAPACITOR	1μF,16V
C11			NCB21EK-104X	CAPACITOR	0.1μF,25V	C225			QERF1AM-227	E CAPACITOR	220μF,10V
C12			NDC21HJ-8R0X	CAPACITOR	8pF,50V	C401			NCB21HK-103X	CAPACITOR	0.01μF,50V
C14			NCB21EK-104X	CAPACITOR	0.1μF,25V	C402			NCB21HK-223X	CAPACITOR	0.022μF,50V
C15			NCB21HK-103X	CAPACITOR	0.01μF,50V	C403			NDC21HJ-131X	CAPACITOR	130pF,50V
C16			NCB21EK-104X	CAPACITOR	0.1μF,25V	C404			NDC21HJ-470X	CAPACITOR	47pF,50V
C17			QEKJ1HM-335	E CAPACITOR	3.3μF,50V	C406			NCB21HK-102X	CAPACITOR	0.001μF,50V
C19			QEKJ1HM-225	E CAPACITOR	2.2μF,50V	C407			NDC21HJ-150X	CAPACITOR	15pF,50V
C20			QEKJ1HM-105	E CAPACITOR	1μF,50V	C2001			QEKJ1HM-475	E CAPACITOR	4.7μF,50V
C21			NCB21EK-104X	CAPACITOR	0.1μF,25V	C2002			QEKJ1EM-106	E CAPACITOR	10μF,25V
C22			QEKJ0JM-476	E CAPACITOR	47μF,6.3V	C2003			QEKJ0JM-476	E CAPACITOR	47μF,6.3V
C23			NCB21EK-104X	CAPACITOR	0.1μF,25V	C2005			QEKJ1HM-475	E CAPACITOR	4.7μF,50V
C24			QCB1HK-104	CAPACITOR	0.1μF,50V	C2006			NCB21EK-123X	CAPACITOR	0.012μF,25V
C25			NDC21HJ-6R0X	CAPACITOR	6pF,50V	C2007			QEKJ1CM-226	E CAPACITOR	22μF,16V
C26			NCB21EK-104X	CAPACITOR	0.1μF,25V	C2008			QEKJ1HM-475	E CAPACITOR	4.7μF,50V
C27			NCB21HK-223X	CAPACITOR	0.022μF,50V	C2009			NCB21HK-102X	CAPACITOR	0.001μF,50V
C28			QEKJ1HM-335	E CAPACITOR	3.3μF,50V	C2010			NCB21HK-152X	CAPACITOR	0.0015μF,50V
C29			NCB21EK-333X	CAPACITOR	0.033μF,25V	C2011			QEKJ1HM-475	E CAPACITOR	4.7μF,50V
C30			NCB21CK-474X	CAPACITOR	0.47μF,16V	C2012			QEKJ1HM-475	E CAPACITOR	4.7μF,50V
C31			QEKJ0JM-476	E CAPACITOR	47μF,6.3V	C2013			NDC21HJ-680X	CAPACITOR	68pF,50V
C32			QCB1HK-104	CAPACITOR	0.1μF,50V	C2015			NCB21HK-682X	CAPACITOR	0.0068μF,50V
C33			QEKJ1HM-225	E CAPACITOR	2.2μF,50V	C2051			NCB21HK-331X	CAPACITOR	330pF,50V
C34			NCB21EK-104X	CAPACITOR	0.1μF,25V	C2052			QFLC1HJ-333Z	F CAPACITOR	0.033μF,50V
C35			NCB21HK-103X	CAPACITOR	0.01μF,50V	C2053			NCB21HK-332X	CAPACITOR	0.0033μF,50V
C36			QEKJ1HM-475	E CAPACITOR	4.7μF,50V	C2054			NCB21HK-103X	CAPACITOR	0.01μF,50V
C37			QEKJ1HM-105	E CAPACITOR	1μF,50V	C2055			QEKJ1EM-106	E CAPACITOR	10μF,25V
C38			QEKJ0JM-476	E CAPACITOR	47μF,6.3V	C2061			QFLC1HJ-333Z	F CAPACITOR	0.033μF,50V
C39			NCB21EK-104X	CAPACITOR	0.1μF,25V	C2062			NCB21HK-332X	CAPACITOR	0.0033μF,50V
C40			QEKJ1EM-106	E CAPACITOR	10μF,25V	C2063			NCB21HK-103X	CAPACITOR	0.01μF,50V
C45			QCB1HK-104	CAPACITOR	0.1μF,50V	C2064			QEKJ1EM-106	E CAPACITOR	10μF,25V
C46			NDC21HJ-101X	CAPACITOR	100pF,50V	C2201			NCB21EK-104X	CAPACITOR	0.1μF,25V

#	△ REF No.	PART No.	PART NAME, DESCRIPTION	#	△ REF No.	PART No.	PART NAME, DESCRIPTION
C2202		NCB21EK-333X	CAPACITOR 0.033μF,25V	C4008		NCB21AK-105X	CAPACITOR 1μF,10V
C2203		QEKJ1EM-106	E CAPACITOR 10μF,25V	C4009		NCB21HK-563X	CAPACITOR 0.056μF,50V
C2204		QDGB1HK-102Y	CAPACITOR 0.001μF,50V	C4010		NCB21EK-223X	CAPACITOR 0.022μF,25V
C2205		QEKJ1HM-105	E CAPACITOR 1μF,50V	C4011		NCB21EK-104X	CAPACITOR 0.1μF,25V
C2206		QEKJ1EM-106	E CAPACITOR 10μF,25V	C4012		NCB21AK-105X	CAPACITOR 1μF,10V
C2207		QEKJ1CM-476	E CAPACITOR 47μF,16V	C4013		NCB21HK-563X	CAPACITOR 0.056μF,50V
C2208		QEKJ1HM-475	E CAPACITOR 4.7μF,50V	C4014		NDC21HJ-101X	CAPACITOR 100pF,50V
C2209		QEKJ1HM-104	E CAPACITOR 0.1μF,50V	C4015		NCB21HK-102X	CAPACITOR 0.001μF,50V
C2210		QEKJ1HM-104	E CAPACITOR 0.1μF,50V	△ C5001		QFZ9073-683	F CAPACITOR 0.068μF,250V
C2211		QEKJ1HM-105	E CAPACITOR 1μF,50V	△ C5002		QFZ9051-333	F CAPACITOR 0.033μF,250V
C2212		QEKJ1HM-105	E CAPACITOR 1μF,50V	△ C5004		QCZ9071-222	CAPACITOR 0.0022μF,250V
C2213		QEKJ1EM-106	E CAPACITOR 10μF,25V	C5006		QEZ0375-686	E CAPACITOR 68μF,400V
C2214		QEKJ1EM-106	E CAPACITOR 10μF,25V	C5101		QCZ0212-472	CAPACITOR 0.0047μF,1kV
C2215		QEKJ1HM-475	E CAPACITOR 4.7μF,50V	C5102		QCZ0302-330Z	CAPACITOR 33pF,1kV
C2216		QEKJ1HM-474	E CAPACITOR 0.47μF,50V	C5104		QEKJ1HM-105	E CAPACITOR 1μF,50V
C2217		QEKJ1EM-106	E CAPACITOR 10μF,25V	C5105		QFN31HJ-183	F CAPACITOR 0.018μF,50V
C2218		QEKJ1HM-474	E CAPACITOR 0.47μF,50V	C5106		QCBB1HJ-271	CAPACITOR 270pF,50V
C2219		QEKJ1EM-106	E CAPACITOR 10μF,25V	C5107		QFV91HJ-104	F CAPACITOR 0.1μF,50V
C2220		QEKJ1HM-475	E CAPACITOR 4.7μF,50V	C5201		QEMU0JM-227	E CAPACITOR 220μF,6.3V
C2221		NCB21HK-103X	CAPACITOR 0.01μF,50V	C5202		QEMT1CM-687	E CAPACITOR 680μF,16V
C2222		QEKJ1HM-474	E CAPACITOR 0.47μF,50V	C5203		QEMT1AM-128	E CAPACITOR 1200μF,10V
C2223		QEKJ1HM-474	E CAPACITOR 0.47μF,50V	C5204		QETN2AM-475	E CAPACITOR 4.7μF,100V
C2224		NCB21HK-103X	CAPACITOR 0.01μF,50V	C5205		QETN1HM-106	E CAPACITOR 10μF,50V
C2225		QEKJ1HM-475	E CAPACITOR 4.7μF,50V	C5206		QETN1EM-476	E CAPACITOR 47μF,25V
C2226		QEKJ1EM-106	E CAPACITOR 10μF,25V	C5207		QETN1CM-107	E CAPACITOR 100μF,16V
C2227		NCB21CK-104X	CAPACITOR 0.1μF,16V	C5208		QEMU1EM-187	E CAPACITOR 180μF,25V
C2228		NCB21CK-104X	CAPACITOR 0.1μF,16V	C5301		QEKJ1CM-107	E CAPACITOR 100μF,16V
C2251		QEKJ0JM-476	E CAPACITOR 47μF,6.3V	C5302		QEKJ1CM-476	E CAPACITOR 47μF,16V
C2252		NCB21HK-103X	CAPACITOR 0.01μF,50V	C5303		QEKJ1CM-107	E CAPACITOR 100μF,16V
C2253		NCB21HK-103X	CAPACITOR 0.01μF,50V	C5304		QFLC1HJ-102Z	F CAPACITOR 0.001μF,50V
C2254		NCB21HK-103X	CAPACITOR 0.01μF,50V	C5305		QFV91HJ-224	F CAPACITOR 0.22μF,50V
C2255		NDC21HJ-181X	CAPACITOR 180pF,50V	C5311		NCB21HK-103X	CAPACITOR 0.01μF,50V
C3001		NCB21EK-104X	CAPACITOR 0.1μF,25V	C5351		QUY153-050Y	IM BUS WIRE
C3003		QEKJ1EM-106	E CAPACITOR 10μF,25V	C6007		QEMU0JM-227	E CAPACITOR 220μF,6.3V
C3008		NCB21HK-102X	CAPACITOR 0.001μF,50V	C6008		NCB21HK-103X	CAPACITOR 0.01μF,50V
C3011		QETL0JM-338	E CAPACITOR 3300μF,6.3V	C6012		QEKJ1CM-107	E CAPACITOR 100μF,16V
C3012		QEKJ0JM-476	E CAPACITOR 47μF,6.3V	C6013		NCB21HK-103X	CAPACITOR 0.01μF,50V
C3014		QEKJ0JM-476	E CAPACITOR 47μF,6.3V	C6023		NRSA02J-0R0X	MG RESISTOR 0Ω,1/10W
C3015		NCB21EK-104X	CAPACITOR 0.1μF,25V	C6032		NCF21EZ-473X	CAPACITOR 0.047μF,25V
C3016		NCB21EK-104X	CAPACITOR 0.1μF,25V	C6037		QEKJ1EM-106	E CAPACITOR 10μF,25V
C3020		NDC21HJ-101X	CAPACITOR 100pF,50V	C6052		NDC21HJ-101X	CAPACITOR 100pF,50V
C3021		NDC21HJ-101X	CAPACITOR 100pF,50V	C6053		NDC21HJ-101X	CAPACITOR 100pF,50V
C3022		NCB21EK-104X	CAPACITOR 0.1μF,25V	C6501		QEKJ0JM-107	E CAPACITOR 100μF,6.3V
C3024		NDC21HJ-220X	CAPACITOR 22pF,50V	C6502		NCB21HK-103X	CAPACITOR 0.01μF,50V
C3025		QAT3725-300Z	TRIM CAPACITOR,TIMER CLOCK	C7001		QEKJ0JM-476	E CAPACITOR 47μF,6.3V
C3026		NCB21HK-103X	CAPACITOR 0.01μF,50V	C7003		QEKJ0JM-227	E CAPACITOR 220μF,6.3V
C3027		QEKJ1EM-106	E CAPACITOR 10μF,25V	C7005		NDC21HJ-470X	CAPACITOR 47pF,50V
C3030		QEKJ0JM-476	E CAPACITOR 47μF,6.3V	C7006		NDC21HJ-330X	CAPACITOR 33pF,50V
C3031		NCB21EK-104X	CAPACITOR 0.1μF,25V	C7007		QEKJ1HM-106	E CAPACITOR 10μF,50V
C3032		NCB21EK-104X	CAPACITOR 0.1μF,25V	C7008		NCB21HK-102X	CAPACITOR 0.001μF,50V
C3033		NCB21EK-104X	CAPACITOR 0.1μF,25V	C7011		QCFB1HZ-104	CAPACITOR 0.1μF,50V
C3036		NDC21HJ-180X	CAPACITOR 18pF,50V	C7165		NCB21HK-681X	CAPACITOR 680pF,50V
C3037		NDC21HJ-120X	CAPACITOR 12pF,50V	C7167		NCB21HK-681X	CAPACITOR 680pF,50V
C3040		NCB21HK-103X	CAPACITOR 0.01μF,50V	C7202		QETJ0JM-477	E CAPACITOR 470μF,6.3V
C3050		NCB21EK-104X	CAPACITOR 0.1μF,25V	L1		QQL29BJ-100Z	COIL 10μH
C4002		NCB21EK-104X	CAPACITOR 0.1μF,25V	L2		QQL071J-121Y	COIL 120μH
C4003		NCB21HK-102X	CAPACITOR 0.001μF,50V	L3		QQL29BJ-100Z	COIL 10μH
C4004		QEKJ1AM-226	E CAPACITOR 22μF,10V	L4		QQL29BJ-100Z	COIL 10μH
C4005		NCB21HK-222X	CAPACITOR 0.0022μF,50V	L5		QQR0521-012Z	NOISE FILTER
C4006		QEKJ0JM-476	E CAPACITOR 47μF,6.3V	L12		QQR0967-001	COIL 12μH
C4007		NCB21HK-561X	CAPACITOR 560pF,50V	L13		QQL071J-330Y	COIL 33μH

#	△	REF No.	PART No.	PART NAME, DESCRIPTION		#	△	REF No.	PART No.	PART NAME, DESCRIPTION		
L15			QQL29BJ-100Z	COIL	10μH	HS1			LP40621-001A	HEAT SINK,Q5101		
L18			QQL071J-220Y	COIL	22μH	SD1			LP30864-001A	SHIELD CASE(PRE)		
L19			QQL071J-120Y	COIL	12μH	WR1			QUB321-11A1A1	SIN TWIST WIRE		
L20			QUY153-050Y	IM BUS WIRE		OT1			QYTDSF3010Z	SCREW,X2		
L24			QQL071J-270Y	COIL	27μH	OT2			QYTDST3008Z	SCREW,Q5101		
L27			QQL071J-330Y	COIL	33μH	OT3			PM30130-001	SPACER		
L28			QQL071J-680Y	COIL	68μH	FC5001			QNG0006-001Z	FUSE CLIP,F5001		
L30			QUY153-050Y	IM BUS WIRE		FC5002			QNG0006-001Z	FUSE CLIP,F5001		
L201			QQL29BK-1R0Z	COIL	1.0μH	J7105			QNN0383-002	PIN JACK,AU YWR		
L202			QUY153-050Y	IM BUS WIRE		△ LF5001			PELN1204-01-01	LINE FILTER		
L203			QQL29BJ-220Z	COIL	22μH	△ LF5002			QQR0978-001	LINE FILTER		
L204			QQL29BJ-100Z	COIL	10μH	CN1			QGF1028C1-13	FPC CONNECTOR,(1-13)U.DRUM		
L206			QQL071J-220Y	COIL	22μH	CN901			QGB2024K1-10S	CONNECTOR,(1-10)TERMINAL		
L401			QQL071J-150Y	COIL	15μH	CN902			QGB2024K1-12S	CONNECTOR,(1-12)TERMINAL		
L402			QUY153-050Y	IM BUS WIRE		CN903			QGB2024K1-10S	CONNECTOR,(1-10)TERMINAL		
L2001			QUY153-050Y	IM BUS WIRE		CN904			QGB2024K1-11S	CONNECTOR,(1-11)TERMINAL		
L2251			QQL29BJ-100Z	COIL	10μH	CN905			QGB2024K1-09S	CONNECTOR,(1-9)TERMINAL		
L2252			QQL29BJ-151Z	COIL	150μH	CN2001			QGF1207C1-07	FPC CONNECTOR,(1-7)A/C HEAD		
L3001			QUY153-050Y	IM BUS WIRE		CN2002			QGB2532J1-02	CONNECTOR,(1-2)FE HEAD		
L3011			QUY153-050Y	IM BUS WIRE		CN3001			QGF1207C1-05	FPC CONNECTOR,(1-5)DRUM MDA		
L3012			QUY153-050Y	IM BUS WIRE		CN3002			QGB2532J1-02	CONNECTOR,(1-2)LOADING MOTOR		
L4001			QUY153-050Y	IM BUS WIRE		CN3003			QGB2015M2-08	CONNECTOR,(1-8)CAPSTAN MOTOR		
L5201			PELN1184	COIL	33μH	CN3004			QGB2534J2-04	CONNECTOR,(1-4)ROTARY ENCODER		
L5202			PU60944-330K	COIL	33μH	CN3901			QGF1207C1-06	FPC CONNECTOR,(1-6)FLASH		
L6001			QQL29BJ-100Z	COIL	10μH	△ CN5001			QGA7901C3-02	CONNECTOR,(1-2)AC IN		
L6003			QQL29BJ-470Z	COIL	47μH	CN7001			QGF1207C1-09	FPC CONNECTOR,(1-9)ADV.JOG		
L7201			QQL29BJ-100Z	COIL	10μH	△ CP3002			ICP-N25	CIRCUIT PROTECTOR		
X1			QAX0576-001Z	CRYSTAL RESONATOR		CP4001			QUY153-050Y	IM BUS WIRE		
X2			QCB1HK-103	CAPACITOR	0.01μF,50V	△ CP5303			NMFZ012-1R5X-M	FUSE	T1.5A,50V	
X3001			QAX0445-001	CRYSTAL RESONATOR		△ CP5304			NMFZ012-1R0X-M	FUSE	T1.0A,50V	
X3002			QAX0527-001	CRYSTAL RESONATOR		△ F5001			QMF51E2-2R0J1	FUSE	T2.0A,AC250V	
S3001			QSW0602-004	PUSH SWITCH,REC SAFETY		*****						
S3002			QSW0695-001	PUSH SWITCH,S.CASS SW		3D DIGITAL/2M BOARD ASSEMBLY <05>						
S7001			QSW0456-002Z	TACT SWITCH,STAND-BY		PW1			LPA10105-05A	3D DIGITAL/2M BOARD ASSY		
S7002			QSW0456-002Z	TACT SWITCH,SVHS ET		IC1401			JCP8026	IC		
S7004			QSW0456-002Z	TACT SWITCH,REC		△ Q1401			2SC1317/RS/-T	TRANSISTOR		
S7006			QSW0456-002Z	TACT SWITCH,PAUSE		Q1402			2SA1576A/QR/-X	TRANSISTOR		
S7008			QSW0456-002Z	TACT SWITCH,STOP/EJECT					or 2PA1576/R/-X	TRANSISTOR		
S7010			QSW0456-002Z	TACT SWITCH,PLAY		Q1403			2SA1576A/QR/-X	TRANSISTOR		
S7012			QSW0456-002Z	TACT SWITCH,E.PROG					or 2PA1576/R/-X	TRANSISTOR		
S7016			QSW0456-002Z	TACT SWITCH,SAT.TIMER		Q1404			DTC144WU	TRANSISTOR		
K2001			NQR0403-003X	FERRITE BEAD					or RN1309	TRANSISTOR		
K2002			NQR0403-003X	FERRITE BEAD					or UN521E	TRANSISTOR		
K2003			NQR0403-003X	FERRITE BEAD		Q1406			2SA1576A/QR/-X	TRANSISTOR		
K2004			NRSA02J-0R0X	MG RESISTOR	0Ω,1/10W				or 2PA1576/R/-X	TRANSISTOR		
K2251			NRSA02J-0R0X	MG RESISTOR	0Ω,1/10W	Q1407			2SA1576A/QR/-X	TRANSISTOR		
K2252			NRSA02J-0R0X	MG RESISTOR	0Ω,1/10W				or 2PA1576/R/-X	TRANSISTOR		
K2253			NRSA02J-0R0X	MG RESISTOR	0Ω,1/10W	Q1408			2SC4081/S/-X	TRANSISTOR		
K5101			QQR0678-001Z	FERRITE BEAD		Q1410			2SC4081/QRS/-X	TRANSISTOR		
K5102			QUY153-050Y	IM BUS WIRE					or 2PC4081/R/-X	TRANSISTOR		
K5301			QUY153-050Y	IM BUS WIRE		Q1412			2SC4081/QRS/-X	TRANSISTOR		
K6080			NRSA02J-102X	MG RESISTOR	1kΩ,1/10W				or 2PC4081/R/-X	TRANSISTOR		
PC3001			GP3S123	IC(PHOTO SENSOR)		Q1413			2SA1576A/QR/-X	TRANSISTOR		
PC3002			GP3S123	IC(PHOTO SENSOR)					or 2PA1576/R/-X	TRANSISTOR		
△ PC5101			PS2561L1-1/L/	IC(PHOTO COUPLER)		Q1414			DTC144WU	TRANSISTOR		
T2051			PELN0860	OSC TRANSFORMER					or RN1309	TRANSISTOR		
T2052			PELN0861	OSC TRANSFORMER					or UN521E	TRANSISTOR		
△ T5001			QQS0033-001	SW TRANSFORMER		Q1417			2SC4081/QRS/-X	TRANSISTOR		
TU6001			QAU0208-002	TUNER								
DI7001			QLF0032-001	FL TUBE								
ET1			PQ21623-2-5	EARTH PLATE(RF)								
HD1			LP30188-001A	HOLDER,DI7001								

#	△ REF No.	PART No.	PART NAME, DESCRIPTION	#	△ REF No.	PART No.	PART NAME, DESCRIPTION
		or 2PC4081/R-X	TRANSISTOR	C1405		NCF21EZ-104X	CAPACITOR 0.1μF,25V
Q1418		2SA1576A/QR/-X	TRANSISTOR	C1406		NCB21HK-103X	CAPACITOR 0.01μF,50V
		or 2PA1576/R-X	TRANSISTOR	C1407		NDC21HJ-680X	CAPACITOR 68pF,50V
Q1419		DTC124TU	TRANSISTOR	C1408		NDC21HJ-330X	CAPACITOR 33pF,50V
Q1420		2SC4081/QRS/-X	TRANSISTOR	C1410		QEKJ1EM-475	E CAPACITOR 4.7μF,25V
		or 2PC4081/R-X	TRANSISTOR	C1411		NCF21EZ-104X	CAPACITOR 0.1μF,25V
D1401		RD4.3ES/B3/-T2	ZENER DIODE	C1412		NDC21HJ-680X	CAPACITOR 68pF,50V
D1402		1SS133	DIODE	C1413		NDC21HJ-330X	CAPACITOR 33pF,50V
		or 1N4148M	DIODE	C1415		NCF21EZ-104X	CAPACITOR 0.1μF,25V
R1401		NRSA02J-181X	MG RESISTOR 180Ω,1/10W	C1416		QEKJ1CM-106	E CAPACITOR 10μF,16V
R1402		NRSA02J-101X	MG RESISTOR 100Ω,1/10W	C1417		NCF21EZ-104X	CAPACITOR 0.1μF,25V
R1404		NRSA02J-182X	MG RESISTOR 1.8kΩ,1/10W	C1421		NDC21HJ-330X	CAPACITOR 33pF,50V
R1406		NRSA02J-471X	MG RESISTOR 470Ω,1/10W	C1422		NDC21HJ-680X	CAPACITOR 68pF,50V
R1407		NRSA02J-272X	MG RESISTOR 2.7kΩ,1/10W	C1423		NCF21EZ-104X	CAPACITOR 0.1μF,25V
R1408		NRSA02J-122X	MG RESISTOR 1.2kΩ,1/10W	C1424		NCB21HK-103X	CAPACITOR 0.01μF,50V
R1410		NRSA02J-391X	MG RESISTOR 390Ω,1/10W	C1425		NCB21HK-103X	CAPACITOR 0.01μF,50V
R1411		NRSA02J-152X	MG RESISTOR 1.5kΩ,1/10W	C1426		NDC21HJ-390X	CAPACITOR 39pF,50V
R1413		NRSA02J-331X	MG RESISTOR 330Ω,1/10W	C1428		NDC21HJ-220X	CAPACITOR 22pF,50V
R1414		NRSA02J-821X	MG RESISTOR 820Ω,1/10W	C1429		QEKJ0JM-337	E CAPACITOR 330μF,6.3V
R1415		NRSA02J-221X	MG RESISTOR 220Ω,1/10W	C1430		NCF21EZ-104X	CAPACITOR 0.1μF,25V
R1416		NRSA02J-104X	MG RESISTOR 100kΩ,1/10W	C1432		NCF21CZ-105X	CAPACITOR 1μF,16V
R1417		NRSA02J-101X	MG RESISTOR 100Ω,1/10W	C1433		NCF21EZ-104X	CAPACITOR 0.1μF,25V
R1418		NRSA02J-471X	MG RESISTOR 470Ω,1/10W	C1435		NCF21EZ-104X	CAPACITOR 0.1μF,25V
R1421		NRSA02J-391X	MG RESISTOR 390Ω,1/10W	C1436		NCF21EZ-104X	CAPACITOR 0.1μF,25V
R1426		NRSA02J-561X	MG RESISTOR 560Ω,1/10W	C1437		NCF21EZ-104X	CAPACITOR 0.1μF,25V
R1427		NRSA02J-333X	MG RESISTOR 33kΩ,1/10W	C1438		NCF21EZ-104X	CAPACITOR 0.1μF,25V
R1428		NRSA02J-393X	MG RESISTOR 39kΩ,1/10W	C1439		NCF21CZ-105X	CAPACITOR 1μF,16V
R1429		NRSA02J-152X	MG RESISTOR 1.5kΩ,1/10W	C1440		NCF21EZ-104X	CAPACITOR 0.1μF,25V
R1430		NRSA02J-222X	MG RESISTOR 2.2kΩ,1/10W	C1441		NCF21EZ-104X	CAPACITOR 0.1μF,25V
R1431		NRSA02J-821X	MG RESISTOR 820Ω,1/10W	C1442		NCF21CZ-105X	CAPACITOR 1μF,16V
R1432		NRSA02J-182X	MG RESISTOR 1.8kΩ,1/10W	C1444		NCF21EZ-104X	CAPACITOR 0.1μF,25V
R1433		NRSA02J-510X	MG RESISTOR 51Ω,1/10W	C1445		NCF21EZ-104X	CAPACITOR 0.1μF,25V
R1434		NRSA02J-153X	MG RESISTOR 15kΩ,1/10W	C1446		QEKJ0JM-476	E CAPACITOR 47μF,6.3V
R1435		NRSA02J-223X	MG RESISTOR 22kΩ,1/10W	C1447		NCF21EZ-104X	CAPACITOR 0.1μF,25V
R1436		NRSA02J-682X	MG RESISTOR 6.8kΩ,1/10W	C1448		QEKJ0JM-476	E CAPACITOR 47μF,6.3V
R1437		NRSA02J-392X	MG RESISTOR 3.9kΩ,1/10W	C1449		NCF21EZ-104X	CAPACITOR 0.1μF,25V
R1438		NRSA02J-473X	MG RESISTOR 47kΩ,1/10W	C1450		NCF21EZ-104X	CAPACITOR 0.1μF,25V
R1439		NRSA02J-273X	MG RESISTOR 27kΩ,1/10W	C1451		QEKJ1EM-475	E CAPACITOR 4.7μF,25V
R1440		NRSA02J-473X	MG RESISTOR 47kΩ,1/10W	C1452		NCF21EZ-104X	CAPACITOR 0.1μF,25V
R1441		NRSA02J-682X	MG RESISTOR 6.8kΩ,1/10W	C1453		NCF21EZ-104X	CAPACITOR 0.1μF,25V
R1442		NRSA02J-682X	MG RESISTOR 6.8kΩ,1/10W	C1454		NCF21EZ-104X	CAPACITOR 0.1μF,25V
R1446		NRSA02J-102X	MG RESISTOR 1kΩ,1/10W	C1455		NCF21EZ-104X	CAPACITOR 0.1μF,25V
R1447		NRSA02J-102X	MG RESISTOR 1kΩ,1/10W	C1463		QEKJ0JM-336	E CAPACITOR 33μF,6.3V
R1448		NRSA02J-102X	MG RESISTOR 1kΩ,1/10W	C1468		NDC21HJ-101X	CAPACITOR 100pF,50V
R1449		NRSA02J-102X	MG RESISTOR 1kΩ,1/10W	C1470		NDC21HJ-330X	CAPACITOR 33pF,50V
R1450		NRSA02J-102X	MG RESISTOR 1kΩ,1/10W	C1471		NCF21EZ-104X	CAPACITOR 0.1μF,25V
R1452		NRSA02J-471X	MG RESISTOR 470Ω,1/10W	C1472		NCF21EZ-104X	CAPACITOR 0.1μF,25V
R1453		NRSA02J-102X	MG RESISTOR 1kΩ,1/10W	C1473		NCF21EZ-104X	CAPACITOR 0.1μF,25V
R1454		NRSA02J-102X	MG RESISTOR 1kΩ,1/10W	L1401		QQL29BJ-100Z	COIL 10μH
R1455		NRSA02J-681X	MG RESISTOR 680Ω,1/10W	L1402		QQL071J-6R8Y	COIL 6.8μH
R1458		NRSA02J-681X	MG RESISTOR 680Ω,1/10W	L1403		QQL071J-6R8Y	COIL 6.8μH
R1459		NRSA02J-681X	MG RESISTOR 680Ω,1/10W	L1404		QQL071J-6R8Y	COIL 6.8μH
R1460		NRSA02J-273X	MG RESISTOR 27kΩ,1/10W	L1405		QQL01BJ-101Z	COIL 100μH
R1461		NRSA02J-121X	MG RESISTOR 120Ω,1/10W	L1406		QQL071J-330Y	COIL 33μH
R1463		NRSA02J-101X	MG RESISTOR 100Ω,1/10W	L1407		QQL01BJ-101Z	COIL 100μH
VR1401		QVZ3521-103Z	V RESISTOR,D/A LEVEL ADJ	L1409		QQL071J-1R0Y	COIL 1.0μH
B1412		NRSA02J-0R0X	MG RESISTOR 0Ω,1/10W	SD1		LP30706-001C	SHIELD FRAME(S-VHS)
C1401		QEKJ1CM-336	E CAPACITOR 33μF,16V	SD2		LP30684-001A	SHIELD CASE(S-VHS)
C1402		NCB21HK-103X	CAPACITOR 0.01μF,50V	LC1401		QQR0657-013Z	NOISE FILTER
C1403		QEKJ0JM-337	E CAPACITOR 330μF,6.3V	LC1402		QQR0657-010Z	NOISE FILTER
C1404		NCF21EZ-104X	CAPACITOR 0.1μF,25V	CN1401		QGG2502K1-17	HEADER PIN

#	△ REF No.	PART No.	PART NAME, DESCRIPTION

TERMINAL BOARD ASSEMBLY <06>			
PW1	LPA10138-02B	TERMINAL BOARD ASSY	
IC501	JCP8018	IC	
	or JCP8028	IC	
	or JCP8028-01	IC	
	or JCP8038	IC	
IC502	VC2076DP	IC	
IC901	BH7636S	IC	
Q901	UN5211	TRANSISTOR	
	or RN1302	TRANSISTOR	
	or DTC114EU	TRANSISTOR	
	or PDTC114EU	TRANSISTOR	
Q902	2SB1218A/QR/-X	TRANSISTOR	
	or 2PA1576/R/-X	TRANSISTOR	
	or 2SA1576A/QR/-X	TRANSISTOR	
Q903	2SB1218A/QR/-X	TRANSISTOR	
	or 2SA1576A/QR/-X	TRANSISTOR	
	or 2PA1576/R/-X	TRANSISTOR	
Q904	2SB1218A/QR/-X	TRANSISTOR	
	or 2PA1576/R/-X	TRANSISTOR	
	or 2SA1576A/QR/-X	TRANSISTOR	
Q905	UN521E	TRANSISTOR	
	or PDTC144WU	TRANSISTOR	
	or RN1309	TRANSISTOR	
	or DTC144WU	TRANSISTOR	
Q906	2SD1819A/QRS/-X	TRANSISTOR	
	or 2SC4081/QRS/-X	TRANSISTOR	
	or 2PC4081/R/-X	TRANSISTOR	
Q907	2SD1819A/QRS/-X	TRANSISTOR	
	or 2PC4081/R/-X	TRANSISTOR	
	or 2SC4081/QRS/-X	TRANSISTOR	
Q908	2SD1819A/QRS/-X	TRANSISTOR	
	or 2SC4081/QRS/-X	TRANSISTOR	
	or 2PC4081/R/-X	TRANSISTOR	
Q909	2SB1218A/QR/-X	TRANSISTOR	
	or 2PA1576/R/-X	TRANSISTOR	
	or 2SA1576A/QR/-X	TRANSISTOR	
Q910	2SB1218A/QR/-X	TRANSISTOR	
	or 2SA1576A/QR/-X	TRANSISTOR	
	or 2PA1576/R/-X	TRANSISTOR	
Q911	UN521E	TRANSISTOR	
	or RN1309	TRANSISTOR	
	or PDTC144WU	TRANSISTOR	
	or DTC144WU	TRANSISTOR	
Q912	UN5215	TRANSISTOR	
	or RN1311	TRANSISTOR	
	or PDTC114TU	TRANSISTOR	
	or DTC114TU	TRANSISTOR	
R503	NRSA02J-221X	MG RESISTOR	220Ω, 1/10W
R504	NRSA02J-332X	MG RESISTOR	3.3kΩ, 1/10W
R505	NRSA02J-392X	MG RESISTOR	3.9kΩ, 1/10W
R506	NRSA02J-391X	MG RESISTOR	390Ω, 1/10W
R507	NRSA02J-122X	MG RESISTOR	1.2kΩ, 1/10W
R508	NRSA02J-151X	MG RESISTOR	150Ω, 1/10W
R509	NRSA02J-162X	MG RESISTOR	1.6kΩ, 1/10W
R510	NRVA02D-102X	CMF RESISTOR	1kΩ, 1/10W
R511	NRVA02D-471X	CMF RESISTOR	470Ω, 1/10W
R512	NRVA02D-102X	CMF RESISTOR	1kΩ, 1/10W

#	△ REF No.	PART No.	PART NAME, DESCRIPTION
R513	NRVA02D-152X	CMF RESISTOR	1.5kΩ, 1/10W
R514	NRVA02D-332X	CMF RESISTOR	3.3kΩ, 1/10W
R515	NRVA02D-332X	CMF RESISTOR	3.3kΩ, 1/10W
R516	QUY160-100Y	IM BUS WIRE	
R517	QUY160-100Y	IM BUS WIRE	
R525	QRE141J-125Y	RESISTOR	1.2MΩ, 1/4W
R527	NRSA02J-332X	MG RESISTOR	3.3kΩ, 1/10W
R531	NRSA02J-101X	MG RESISTOR	100Ω, 1/10W
R532	NRSA02J-101X	MG RESISTOR	100Ω, 1/10W
R533	NRSA02J-101X	MG RESISTOR	100Ω, 1/10W
R534	NRSA02J-101X	MG RESISTOR	100Ω, 1/10W
R535	NRSA02J-101X	MG RESISTOR	100Ω, 1/10W
R536	NRSA02J-101X	MG RESISTOR	100Ω, 1/10W
R901	NRSA02J-750X	MG RESISTOR	75Ω, 1/10W
R902	NRSA02J-750X	MG RESISTOR	75Ω, 1/10W
R903	QRE141J-680Y	RESISTOR	68Ω, 1/4W
R904	NQL402M-4R7X	COIL	4.7μH
R905	NQL402M-4R7X	COIL	4.7μH
R906	QQL231J-100Y	COIL	10μH
R907	QQL231J-100Y	COIL	10μH
R908	NRSA02J-0R0X	MG RESISTOR	0Ω, 1/10W
R909	NRSA02J-750X	MG RESISTOR	75Ω, 1/10W
R910	NRSA02J-750X	MG RESISTOR	75Ω, 1/10W
R911	NRSA02J-750X	MG RESISTOR	75Ω, 1/10W
R912	NRSA02J-101X	MG RESISTOR	100Ω, 1/10W
R913	NRSA02J-101X	MG RESISTOR	100Ω, 1/10W
R914	QQL231J-100Y	COIL	10μH
R915	QQL231J-100Y	COIL	10μH
R916	NRSA02J-102X	MG RESISTOR	1kΩ, 1/10W
R917	NRSA02J-0R0X	MG RESISTOR	0Ω, 1/10W
R918	NRSA02J-0R0X	MG RESISTOR	0Ω, 1/10W
R919	QRE141J-101Y	RESISTOR	100Ω, 1/4W
R920	QRE141J-101Y	RESISTOR	100Ω, 1/4W
R921	QRE121J-391Y	RESISTOR	390Ω, 1/2W
R922	QRE121J-391Y	RESISTOR	390Ω, 1/2W
R923	NRSA02J-750X	MG RESISTOR	75Ω, 1/10W
R924	NRSA02J-750X	MG RESISTOR	75Ω, 1/10W
R929	NRSA02J-820X	MG RESISTOR	82Ω, 1/10W
R930	NRSA02J-750X	MG RESISTOR	75Ω, 1/10W
R931	NRSA02J-101X	MG RESISTOR	100Ω, 1/10W
R932	NRSA02J-511X	MG RESISTOR	510Ω, 1/10W
R933	NRSA02J-471X	MG RESISTOR	470Ω, 1/10W
R934	QRE141J-101Y	RESISTOR	100Ω, 1/4W
R935	QRE141J-101Y	RESISTOR	100Ω, 1/4W
R936	QRE141J-101Y	RESISTOR	100Ω, 1/4W
R937	QRE141J-101Y	RESISTOR	100Ω, 1/4W
R938	QRE141J-101Y	RESISTOR	100Ω, 1/4W
R939	QRE141J-101Y	RESISTOR	100Ω, 1/4W
R940	NRSA02J-103X	MG RESISTOR	10kΩ, 1/10W
R941	NRSA02J-332X	MG RESISTOR	3.3kΩ, 1/10W
R942	NRSA02J-472X	MG RESISTOR	4.7kΩ, 1/10W
R943	NRSA02J-0R0X	MG RESISTOR	0Ω, 1/10W
R944	NRSA02J-272X	MG RESISTOR	2.7kΩ, 1/10W
R945	NRSA02J-102X	MG RESISTOR	1kΩ, 1/10W
R946	NRSA02J-561X	MG RESISTOR	560Ω, 1/10W
R947	NRSA02J-682X	MG RESISTOR	6.8kΩ, 1/10W
R949	QRE121J-331Y	RESISTOR	330Ω, 1/2W
R951	NRSA02J-332X	MG RESISTOR	3.3kΩ, 1/10W
R952	NRSA02J-562X	MG RESISTOR	5.6kΩ, 1/10W
R953	NRSA02J-562X	MG RESISTOR	5.6kΩ, 1/10W
R964	NRSA02J-101X	MG RESISTOR	100Ω, 1/10W

#	△ REF No.	PART No.	PART NAME, DESCRIPTION	#	△ REF No.	PART No.	PART NAME, DESCRIPTION
C501		QEKJ1HM-225	E CAPACITOR 2.2μF,50V	C915		NCB21HK-103X	CAPACITOR 0.01μF,50V
C502		QEKJ1HM-475	E CAPACITOR 4.7μF,50V	C916		NCB21HK-223X	CAPACITOR 0.022μF,50V
C503		QEKJ1HM-225	E CAPACITOR 2.2μF,50V	C917		NCB21HK-223X	CAPACITOR 0.022μF,50V
C504		NCB21EK-104X	CAPACITOR 0.1μF,25V	C918		QCB1HK-223	CAPACITOR 0.022μF,50V
C505		QEKJ1HM-475	E CAPACITOR 4.7μF,50V	C921		NDC21HJ-330X	CAPACITOR 33pF,50V
C506		NCB21HK-103X	CAPACITOR 0.01μF,50V	C923		QEKJ1CM-476	E CAPACITOR 47μF,16V
C507		QEKJ0JM-476	E CAPACITOR 47μF,6.3V	C924		NCB21HK-103X	CAPACITOR 0.01μF,50V
C508		QEKJ1HM-474	E CAPACITOR 0.47μF,50V	C925		NCB21HK-223X	CAPACITOR 0.022μF,50V
C509		QEKJ1CM-106	E CAPACITOR 10μF,16V	C927		QEKJ1CM-476	E CAPACITOR 47μF,16V
C510		QEKJ0JM-476	E CAPACITOR 47μF,6.3V	C928		NCB21HK-103X	CAPACITOR 0.01μF,50V
C511		NCB21HK-103X	CAPACITOR 0.01μF,50V	C931		QEKJ1EM-106	E CAPACITOR 10μF,25V
C512		NCB21HK-103X	CAPACITOR 0.01μF,50V	C935		NCB21HK-471X	CAPACITOR 470pF,50V
C513		QEKJ1HM-475	E CAPACITOR 4.7μF,50V	C936		NCB21HK-471X	CAPACITOR 470pF,50V
C514		NCB21HK-103X	CAPACITOR 0.01μF,50V	C937		NCB21HK-331X	CAPACITOR 330pF,50V
C515		NCB21HK-103X	CAPACITOR 0.01μF,50V	C938		NCB21HK-331X	CAPACITOR 330pF,50V
C516		NCB21HK-103X	CAPACITOR 0.01μF,50V	C939		NCB21HK-471X	CAPACITOR 470pF,50V
C518		NCB21EK-104X	CAPACITOR 0.1μF,25V	C940		NCB21HK-471X	CAPACITOR 470pF,50V
C519		QEKJ1HM-225	E CAPACITOR 2.2μF,50V	C941		QEKJ0JM-227	E CAPACITOR 220μF,6.3V
C520		QEKJ1HM-475	E CAPACITOR 4.7μF,50V	C942		QEKJ1CM-476	E CAPACITOR 47μF,16V
C521		QEKJ1HM-475	E CAPACITOR 4.7μF,50V	C943		QEKJ1CM-107	E CAPACITOR 100μF,16V
C522		QEKJ1HM-225	E CAPACITOR 2.2μF,50V	C945		QEKJ1EM-106	E CAPACITOR 10μF,25V
C523		QEKJ1HM-225	E CAPACITOR 2.2μF,50V	C946		QEKJ1EM-106	E CAPACITOR 10μF,25V
C524		NDC21HG-301X	CAPACITOR 300pF,50V	C950		QEKJ0JM-227	E CAPACITOR 220μF,6.3V
C525		NDC21HG-301X	CAPACITOR 300pF,50V	C951		QEK1CM-476	E CAPACITOR 47μF,16V
C526		NDC21HJ-101X	CAPACITOR 100pF,50V	C958		NCB21HK-331X	CAPACITOR 330pF,50V
C527		NDC21HJ-181X	CAPACITOR 180pF,50V	C959		NCB21HK-331X	CAPACITOR 330pF,50V
C528		NDC21HG-271X	CAPACITOR 270pF,50V	L501		QQL29BJ-100Z	COIL 10μH
C529		NDC21HG-820X	CAPACITOR 82pF,50V	L503		QQL29BJ-100Z	COIL 10μH
C530		NDC21HG-221X	CAPACITOR 220pF,50V	L504		QQL29BJ-100Z	COIL 10μH
C531		NDC21HG-301X	CAPACITOR 300pF,50V	L505		QUY153-050Y	IM BUS WIRE
C532		NDC21HG-301X	CAPACITOR 300pF,50V	L901		QQL231J-R22Y	COIL 0.22μH
C533		NCB21HK-103X	CAPACITOR 0.01μF,50V	L902		QQL071J-1R0Y	COIL 1.0μH
C534		QEKJ0JM-476	E CAPACITOR 47μF,6.3V	L903		QQL071J-150Y	COIL 15μH
C535		NCB21HK-103X	CAPACITOR 0.01μF,50V	L904		QQL071J-150Y	COIL 15μH
C551		QEKJ1HM-105	E CAPACITOR 1μF,50V	L906		QUY153-050Y	IM BUS WIRE
C553		QCB1HK-103	CAPACITOR 0.01μF,50V	L907		QUY153-050Y	IM BUS WIRE
C554		QEKJ1HM-105	E CAPACITOR 1μF,50V	L910		QQL071J-1R0Y	COIL 1.0μH
C556		QCB1HK-103	CAPACITOR 0.01μF,50V	L913		QQL071J-4R7Y	COIL 4.7μH
C557		QEKJ1HM-105	E CAPACITOR 1μF,50V	L914		QQL071J-4R7Y	COIL 4.7μH
C559		NCB21HK-103X	CAPACITOR 0.01μF,50V	L915		QQL071J-4R7Y	COIL 4.7μH
C560		QEKJ1HM-105	E CAPACITOR 1μF,50V	L916		QQL071J-4R7Y	COIL 4.7μH
C561		QEKJ1HM-105	E CAPACITOR 1μF,50V	L917		QQL071J-4R7Y	COIL 4.7μH
C563		NCB21HK-103X	CAPACITOR 0.01μF,50V	L918		QQL071J-4R7Y	COIL 4.7μH
C568		NDC21HJ-680X	CAPACITOR 68pF,50V	L919		QQL071J-4R7Y	COIL 4.7μH
C569		NDC21HJ-680X	CAPACITOR 68pF,50V	L920		QQL071J-4R7Y	COIL 4.7μH
C570		NDC21HJ-680X	CAPACITOR 68pF,50V	ET1		LP30918-001A	EARTH PLATE
C571		NDC21HJ-680X	CAPACITOR 68pF,50V	ET2		LP30915-001A	EARTH PLATE
C572		NDC21HJ-680X	CAPACITOR 68pF,50V	△ TB1		LP21028-002A	TERMINAL BOARD
C573		NDC21HJ-680X	CAPACITOR 68pF,50V	OT1		QYTD5F3008Z	SCREW,X6
C575		NDC21HJ-101X	CAPACITOR 100pF,50V	J901		PEMC1177	RGB21PIN SOCKET,AV1
C901		NCB21HK-331X	CAPACITOR 330pF,50V	J902		PEMC1177	RGB21PIN SOCKET,AV2
C902		NCB21HK-331X	CAPACITOR 330pF,50V	J904		QND0084-001	S JACK,S OUT
C903		NCB21HK-471X	CAPACITOR 470pF,50V	J915		QNN0418-003	PIN JACK,A.OUT(L)
C904		NCB21HK-471X	CAPACITOR 470pF,50V	J916		QNN0418-002	PIN JACK,A.OUT(R)
C905		NCB21HK-331X	CAPACITOR 330pF,50V	J921		PU60659	MINI JACK,SAT_CTL
C906		NCB21HK-331X	CAPACITOR 330pF,50V	J922		PU60659	MINI JACK,PAUSE/RAE
C907		NCB21HK-471X	CAPACITOR 470pF,50V	CN911		QGB2024J1-10S	CONNECTOR,(1-10)MAIN
C908		NCB21HK-471X	CAPACITOR 470pF,50V	CN912		QGB2024J1-12S	CONNECTOR,(1-12)MAIN
C910		NCB21HK-102X	CAPACITOR 0.001μF,50V	CN913		QGB2024J1-10S	CONNECTOR,(1-10)MAIN
C912		NCB21HK-102X	CAPACITOR 0.001μF,50V	CN914		QGB2024J1-11S	CONNECTOR,(1-11)MAIN
C913		NCB21HK-103X	CAPACITOR 0.01μF,50V	CN915		QGB2024J1-09S	CONNECTOR,(1-9)MAIN
C914		NCB21HK-103X	CAPACITOR 0.01μF,50V	CN916		QGF1208F1-04	FPC CONNECTOR,(1-4)S JACK

REF No. PART No. PART NAME, DESCRIPTION

A/C HEAD BOARD ASSEMBLY <12>

PW1	LP10122-01A1	A/C HEAD BOARD ASSY
CN1	QGF1208F1-07	FPC CONNECTOR

DEMOD BOARD ASSEMBLY <14>

PW1	LPA10060-04A	DEMOD BOARD ASSY	
IC6701	TDA9874AH/V2	IC	
Q6701	2SC3936/BC/-X	TRANSISTOR	
R6701	NRSA02J-102X	MG RESISTOR	1kΩ,1/10W
R6703	NRSA02J-102X	MG RESISTOR	1kΩ,1/10W
R6705	NRSA02J-100X	MG RESISTOR	10Ω,1/10W
R6706	NRSA02J-0R0X	MG RESISTOR	0Ω,1/10W
R6708	NRSA02J-0R0X	MG RESISTOR	0Ω,1/10W
R6711	NRSA02J-822X	MG RESISTOR	8.2kΩ,1/10W
R6715	NRSA02J-100X	MG RESISTOR	10Ω,1/10W
R6716	NRSA02J-101X	MG RESISTOR	100Ω,1/10W
R6717	NRSA02J-101X	MG RESISTOR	100Ω,1/10W
R6719	NRSA02J-3R3X	MG RESISTOR	3.3Ω,1/10W
R6721	NRSA02J-392X	MG RESISTOR	3.9kΩ,1/10W
R6722	NRSA02J-472X	MG RESISTOR	4.7kΩ,1/10W
R6723	NRSA02J-470X	MG RESISTOR	47Ω,1/10W
R6724	NRSA02J-221X	MG RESISTOR	220Ω,1/10W
R6725	NRSA02J-101X	MG RESISTOR	100Ω,1/10W
R6726	NRSA02J-102X	MG RESISTOR	1kΩ,1/10W
B6702	NRSA02J-0R0X	MG RESISTOR	0Ω,1/10W
C6701	QEKJ1HM-225	E CAPACITOR	2.2μF,50V
C6702	NCB21HK-682X	CAPACITOR	0.0068μF,50V
C6703	QEKJ1HM-225	E CAPACITOR	2.2μF,50V
C6704	NCB21HK-682X	CAPACITOR	0.0068μF,50V
C6705	NCF21CZ-474X	CAPACITOR	0.47μF,16V
C6706	NCF21CZ-474X	CAPACITOR	0.47μF,16V
C6713	NRSA02J-0R0X	MG RESISTOR	0Ω,1/10W
C6716	NCF21CZ-474X	CAPACITOR	0.47μF,16V
C6718	NCB21EK-224X	CAPACITOR	0.22μF,25V
C6719	NCB21HK-103X	CAPACITOR	0.01μF,50V
C6720	QEKJ1HM-105	E CAPACITOR	1μF,50V
C6722	NCF21CZ-474X	CAPACITOR	0.47μF,16V
C6723	NDC21HJ-101X	CAPACITOR	100pF,50V
C6724	NDC21HJ-101X	CAPACITOR	100pF,50V
C6728	NCB21HK-103X	CAPACITOR	0.01μF,50V
C6729	QEKJ1HM-225	E CAPACITOR	2.2μF,50V
C6730	QEKJ1CM-476	E CAPACITOR	47μF,16V
C6731	NRSA02J-0R0X	MG RESISTOR	0Ω,1/10W
C6732	NCB21HK-103X	CAPACITOR	0.01μF,50V
C6733	NCB21HK-222X	CAPACITOR	0.0022μF,50V
C6734	NCB21HK-103X	CAPACITOR	0.01μF,50V
L6702	QQL231J-1R0Y	COIL	1μH
L6703	QQL231J-3R3Y	COIL	3.3μH
X6701	QAX0560-001	CRYSTAL RESONATOR	
K6701	NQR0200-003X	FERRITE BEAD	
K6703	NQR0200-003X	FERRITE BEAD	
K6704	NQR0200-003X	FERRITE BEAD	
K6705	NQR0200-003X	FERRITE BEAD	

REF No. PART No. PART NAME, DESCRIPTION

K6706	NQR0200-003X	FERRITE BEAD
K6707	NQR0200-003X	FERRITE BEAD
BK1	LP40425-001A	BRACKET(BOARD)
CN6701	QGG2502K1-10	HEADER PIN

MINI FRONT BOARD ASSEMBLY <28>

PW1	LPA20014-01A	MINI FRONT BOARD ASSY
S7028	QSW0456-002Z	TACT SWITCH,INSERT
S7029	QSW0456-002Z	TACT SWITCH,A.DUB
CN7002	QGF1208C1-09	FPC CONNECTOR,(1-9)MAIN
CN7005	QGF1208C1-09	FPC CONNECTOR,(1-9)MAIN

S JACK BOARD ASSEMBLY <36>

PW1	LPA20009-01B	S JACK BOARD ASSY
J7102	QND0085-001	S JACK
CN7108	QGF1209F1-04	FPC CONNECTOR,(1-4)MAIN

ADV.JOG BOARD ASSEMBLY <38>

PW1	LPA20013-03B	ADV.JOG BOARD ASSY
UN7001	QSW0905-001	ROTARY ENCODER
CN7003	QGF1209F1-09	FPC CONNECTOR,(1-9)MAIN

LOADING MOTOR BOARD ASSEMBLY <55>

PW2	LP10122-01A2	LOADING MOTOR BOARD ASSY
CN1	QGB2533K1-02	CONNECTOR